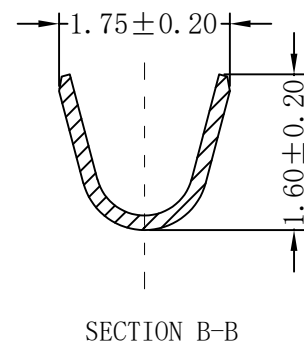
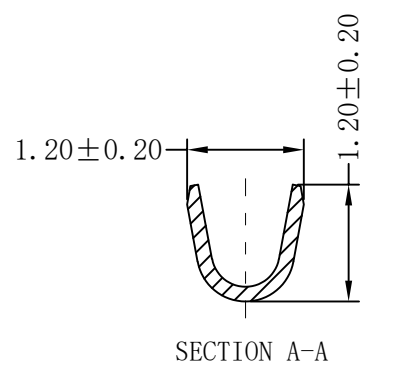
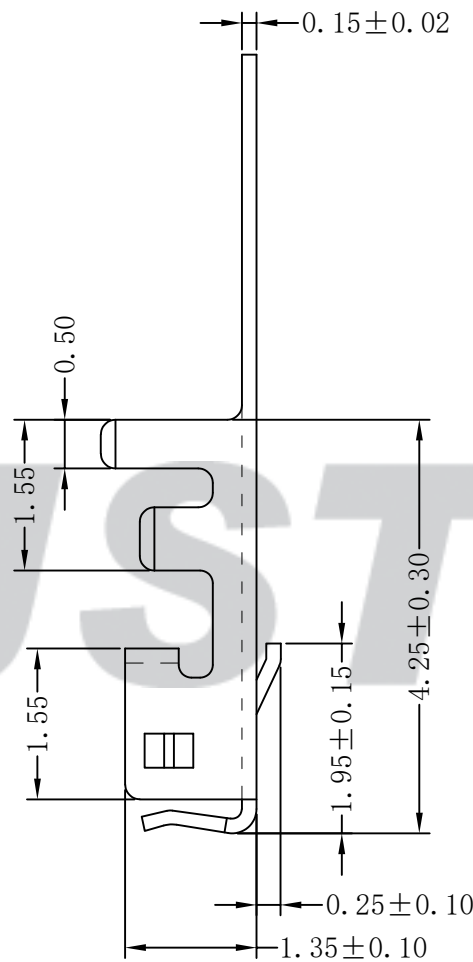
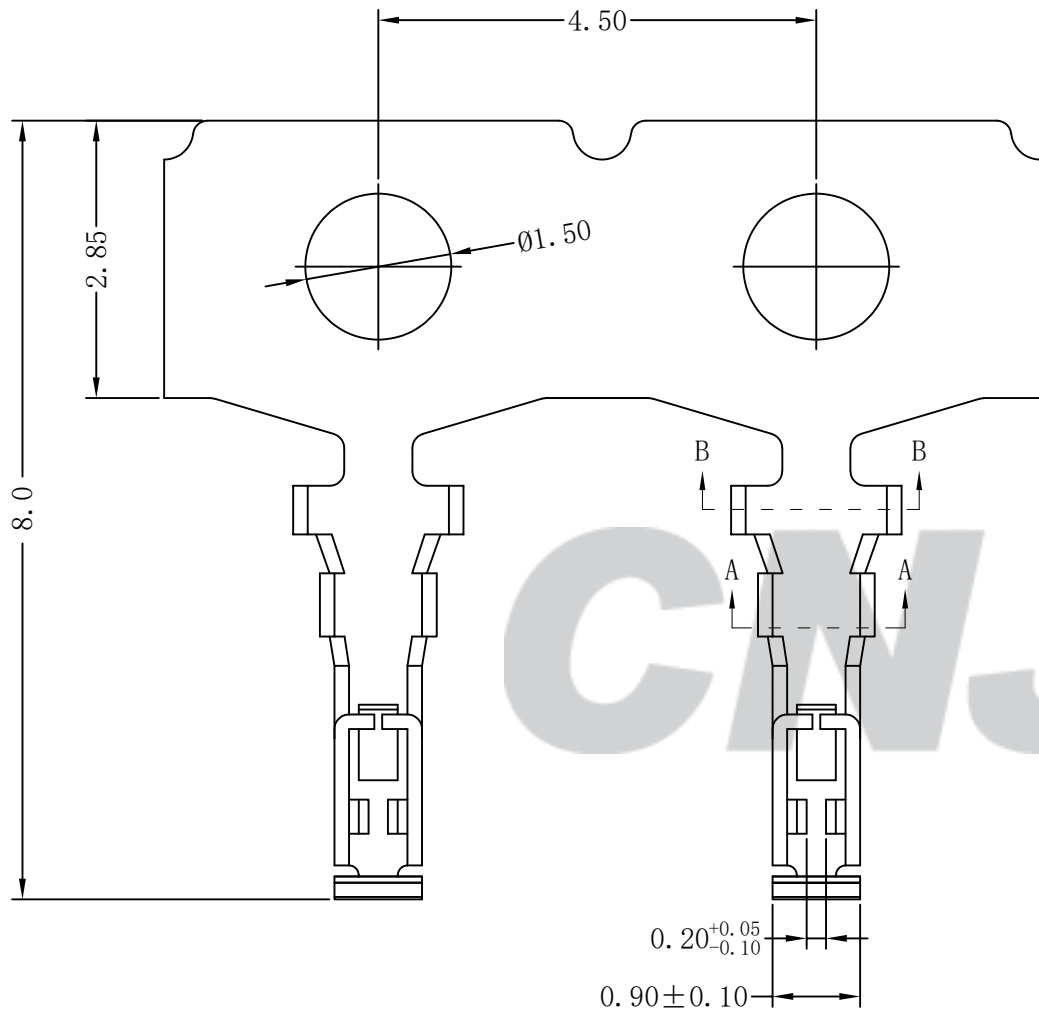


RoHS Compliant



CNJST

Tolerance X.X ±0.30 X.XX ±0.20 X.XXX ±0.10 Angle ±3.0°	CNJST 捷仕泰企业		Drawn: 王程伟 2022.12.29
	Model No.: A5001T-PA-Z		Checked: 吴丹平
UNIT: mm	Model Name: 5.00mm PITCH CRIMP TERMINAL-FEMALE		Approved: 林旭芝
	⊕	☐	DWG NO. CNJST/GCCP-0078

REV.	DATE	DESCRIPTION	APPD.	NO.	DESCRIPTION	QTY	MATERIAL	PLATING/COLOR
C/0	2022.12.29	模版更新	王程伟	①	Insulator	1	LCP (UL94V-0)	Nature