

RoHS Compliant

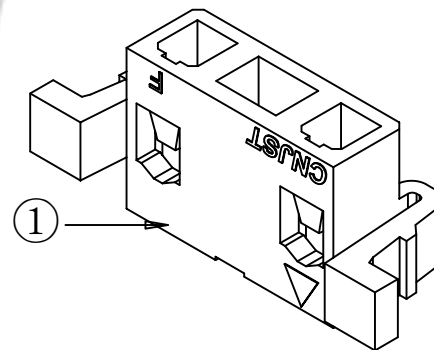
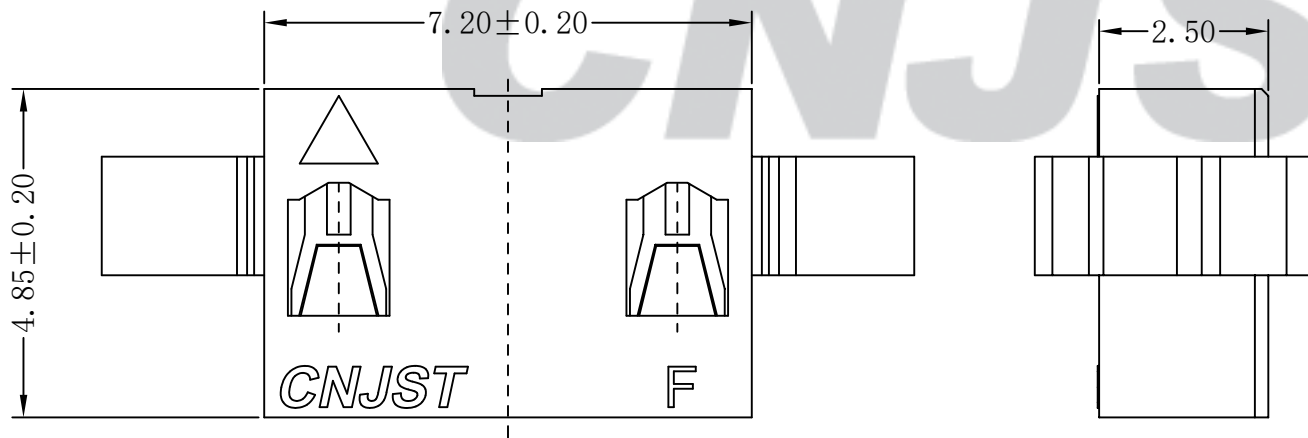
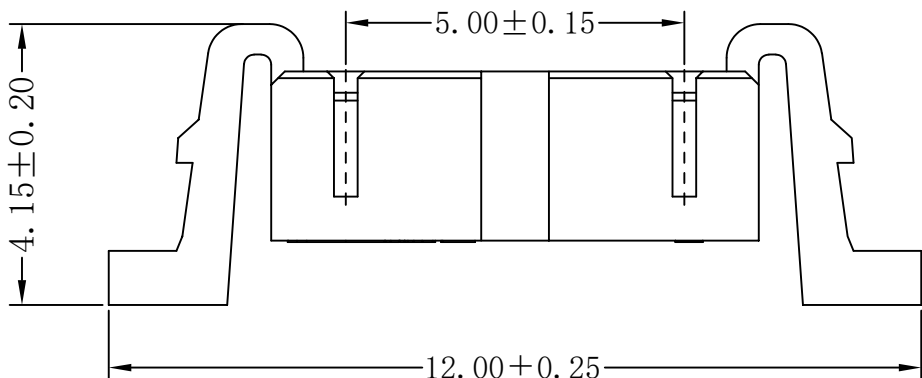
**SPECIFICATION**

- 1 Contact resistance:  $\leq 30m\Omega$
- 2 Insulation resistance:  $\geq 1000M\Omega$
- 3 Rated voltage: 400 V AC DC
- 4 Rated current: 0.75 A AC DC
- 5 Withstand Voltage: 1800V AC/minute
- 6 Temperature Range:  $-25^{\circ}C \sim +85^{\circ}C$

**ORDER INFORMATION:**

**A5001Y-02-A6W-P**

PART No.:		PACKAGING:
No. OF CIRCUITS:		P=PE
PLASTIC MATERIAL:		
A6W=PA66(White)		



专利产品

Tolerance X.X ±0.30 X.XX ±0.20 X.XXX ±0.10 Angle ±3.0°	<b>CNJST</b> 捷仕泰企业		Drawn: 王程伟 2022.12.29
	Model No.: A5001Y-02-A6W-P		Checked: 吴丹平
	Model Name: 5.00mm pitch 90° Housing		Approved: 林旭芝
	UNIT: mm	SCALE: FULL	REVISION: C/0
DWG NO.: CNJST/GCCP-0449			

REV.	DATE	DESCRIPTION	APPD.	NO.	DESCRIPTION	QTY	MATERIAL	PLATING/COLOR
C/0	2022.12.29	统一标准, 模版更新	林旭芝	①	Insulator	1	PA66(UL94V-0)	WHITE