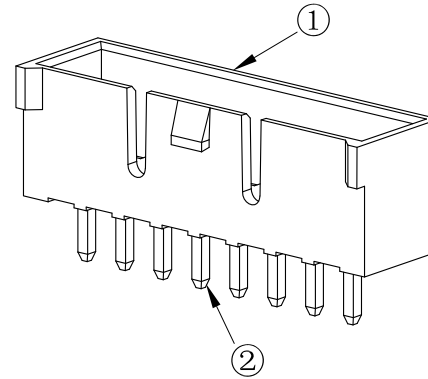
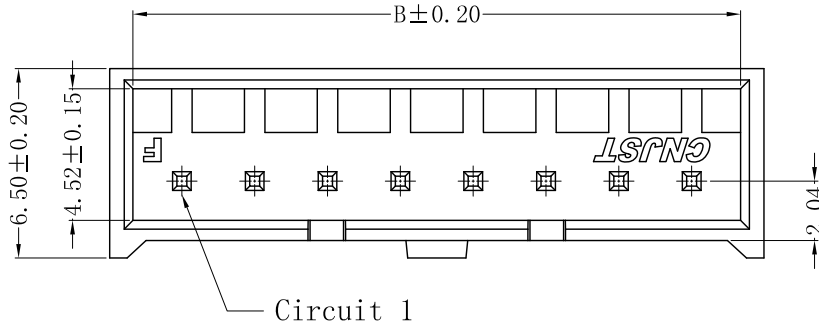


RoHS Compliant



SPECIFICATION

- 1 Contact resistance: $\leq 20m\Omega$
- 2 Insulation resistance: $\geq 1000M\Omega$
- 3 Rated voltage: 250 V AC DC
- 4 Rated current: 3.0 A AC DC
- 5 Withstand Voltage: 1000V AC/minute
- 6 Temperature Range: $-25^{\circ}C \sim +85^{\circ}C$

ORDER INFORMATION:

A2513A--A1MA-P**

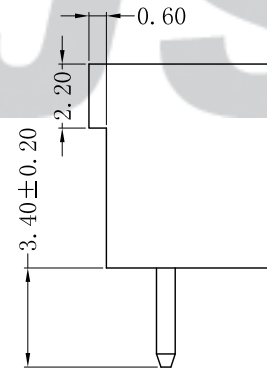
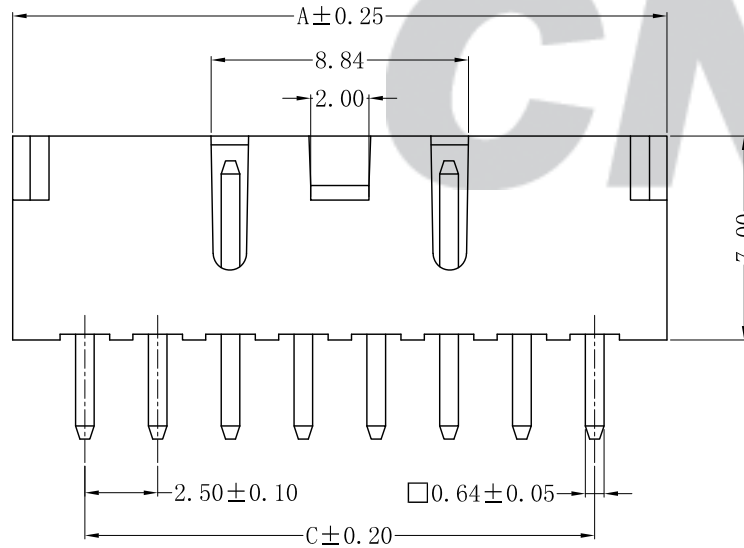
PART No. _____

No. OF CIRCUITS: _____ PACKAGING: _____

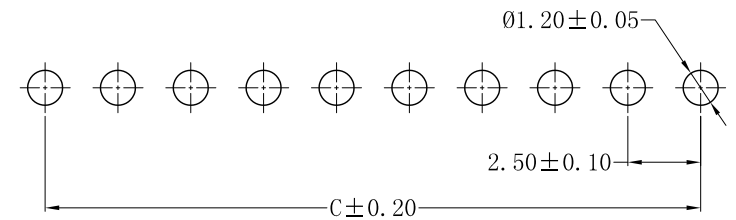
08~12 P=PE

PLASTIC MATERIAL: _____ PLATING: _____

AIM=PA66 (Nature) A=Tin-plated



Circuits	Dimensions (mm)		
	A	B	C
8	22.46	20.86	17.50
10	27.46	25.86	22.50
12	32.46	30.86	27.50



SUGGESTED PCB LAYOUT
(COMPONENT SIDE)

REV.	DATE	DESCRIPTION	APPD.	NO.	DESCRIPTION	QTY	MATERIAL	PLATING/COLOR
C/0	2022.09.30	统一标准, 更新模板	王程伟	②	Contacts	8~12	Brass	Tin-plated
B/0	2021.03.15	NEW RELEASE		①	Insulator	1	PA66 (UL94V-0)	Nature

Tolerance	X.X ±0.30
	X.XX ±0.20
	X.XXX ±0.10
Angle	±3.0°
UNIT:	mm

CNJST 捷仕泰企业

Model No.: A2513A-**-A1MA-P

Model Name: 2.50mm PITCH 180° WAFER

SCALE: FULL REVISION: C/0

Drawn: 王程伟 2022.09.30

Checked: 吴丹平

Approved: 林旭芝

DWG NO. CNJST/GCCP-0754