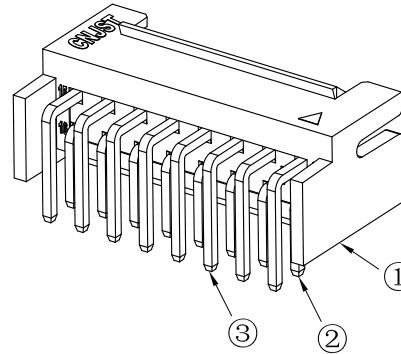
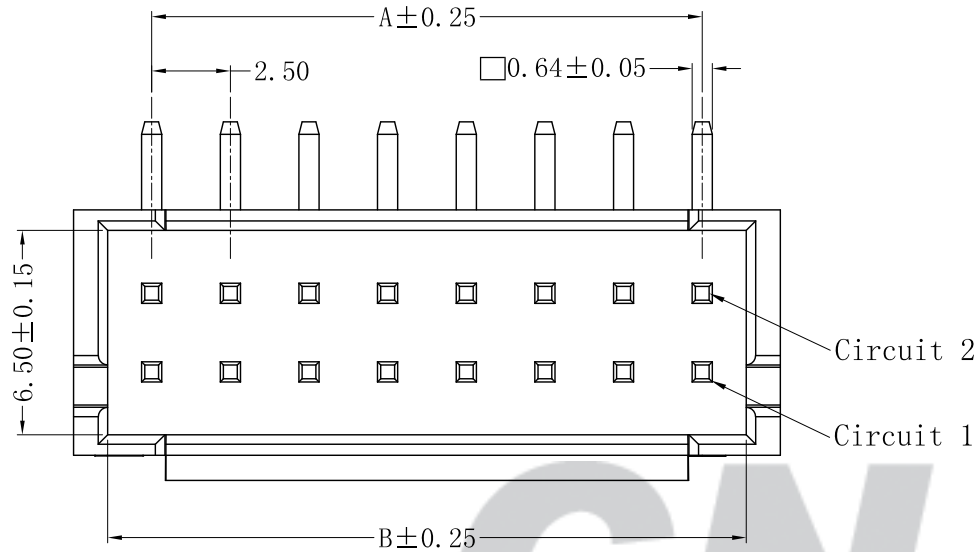


RoHS Compliant



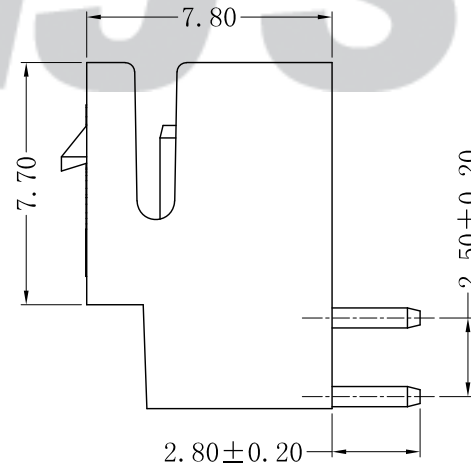
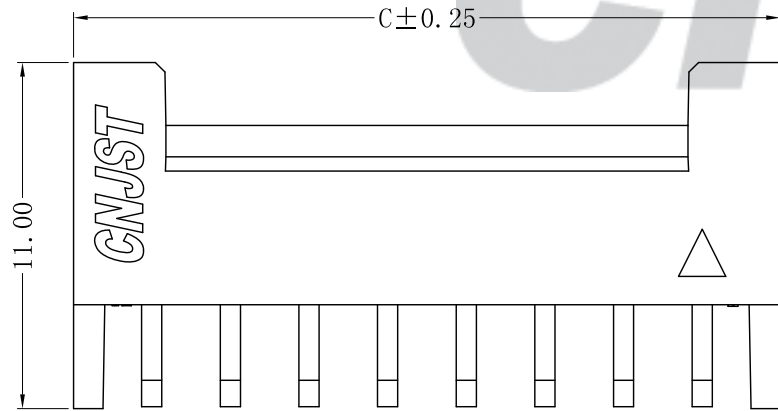
SPECIFICATION

- 1 Contact resistance: $\leq 30m\Omega$
- 2 Insulation resistance: $\geq 1000M\Omega$
- 3 Rated voltage: 250 V AC DC
- 4 Rated current: 3.0 A AC DC
- 5 Withstand Voltage: 1000V AC/minute
- 6 Temperature Range: $-25^{\circ}C \sim +85^{\circ}C$

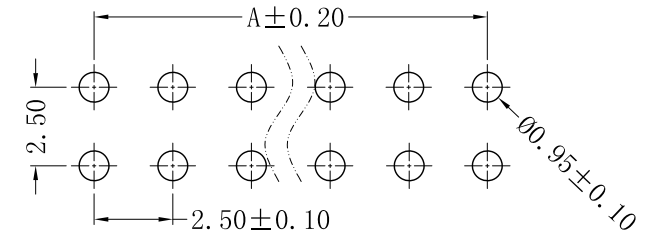
ORDER INFORMATION:

A2510AWD-***-A2KA-B-D2.8

PART No.:			
No. OF CIRCUITS:			PACKAGING:
2X7~2X15			B=Tray
PLASTIC MATERIAL:			PLATING:
A2K=PA66 (Black)			A=Tin-Plated



Circuits	Dimensions (mm)		
	A	B	C
207 (2X7)	15.00	17.80	20.00
208 (2X8)	17.50	20.30	22.50
209 (2X9)	20.00	22.80	25.00
210 (2X10)	22.50	25.30	27.50
215 (2X15)	35.00	37.80	40.00



SUGGESTED PCB LAYOUT
(COMPONENT SIDE)

专利产品

REV.	DATE	DESCRIPTION	APPD.	NO.	DESCRIPTION	QTY	MATERIAL	PLATING/COLOR
C/0	2022.09.20	统一标准, 更新模板	王程伟	③	Contacts 2	7~15	Brass	Tin-Plated
B/0	2020.07.29	NEW RELEASE		②	Contacts 1	7~15	Brass	Tin-Plated
				①	Insulator	1	PA66 (UL94V-0)	Black

Tolerance	
X.X	±0.30
X.XX	±0.20
X.XXX	±0.10
Angle	±3.0°
UNIT:	mm

CNJST 捷仕泰企业

Model No.: A2510AWD-***-A2KA-B-D2.8

Model Name: 2.50mm PITCH 90° WAFER

SCALE: FULL REVISION: C/0

Drawn: 王程伟	2022.09.20
Checked: 吴丹平	
Approved: 林旭芝	
DWG NO. CNJST/GCCP-0548	