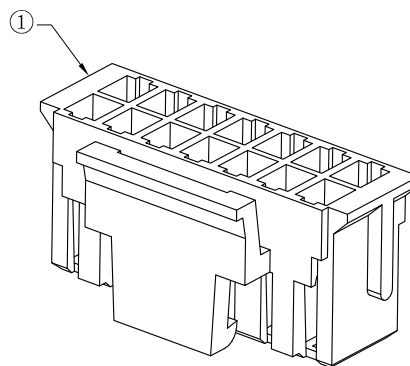
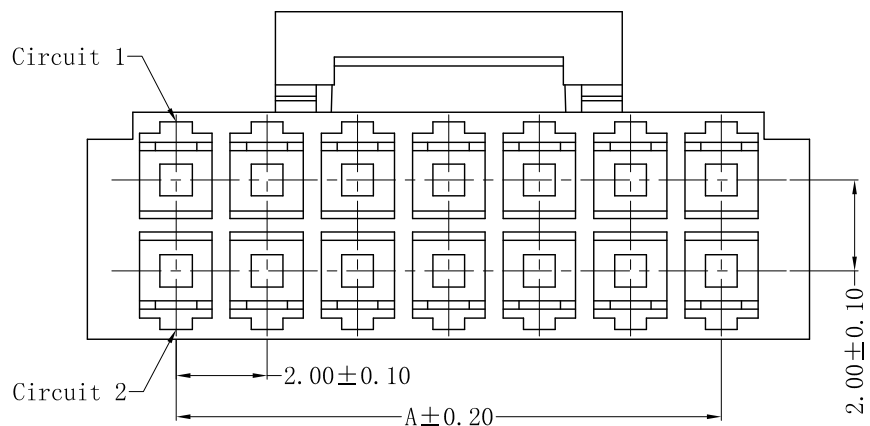


RoHS Compliant



SPECIFICATION

- 1 Contact resistance: $\leq 10m\Omega$
- 2 Insulation resistance: $\geq 1000M\Omega$
- 3 Rated voltage: 250 V AC DC
- 4 Rated current: 3.0 A AC DC
- 5 Withstand Voltage: 800V AC/minute
- 6 Temperature Range: $-25^{\circ}C \sim +85^{\circ}C$

ORDER INFORMATION:

A2010Y-***-A6W-P

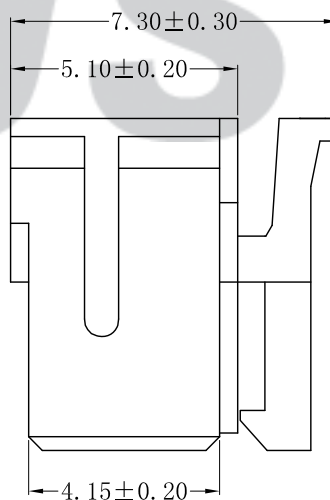
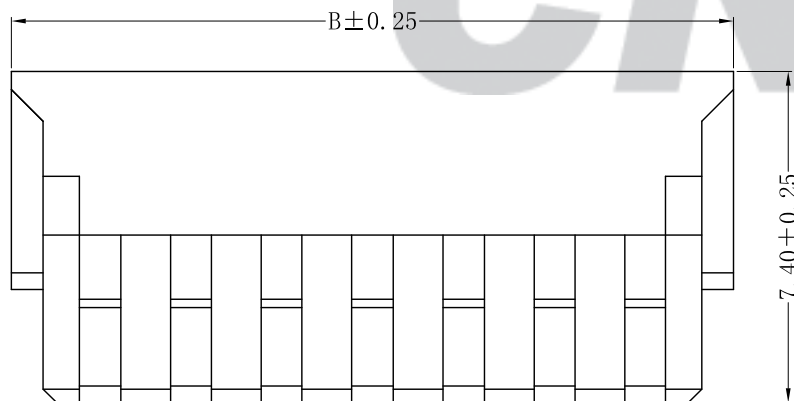
PART No. ↓

PACKAGING:
P=PE

No. OF CIRCUITS:
2X2~2X20

PLASTIC MATERIAL:
A6W=PA66 (White)

CNJST



Circuits	Dimensions (mm)	
	A	B
202 (2X2)	2.00	6.00
203 (2X3)	4.00	8.00
204 (2X4)	6.00	10.00
205 (2X5)	8.00	12.00
206 (2X6)	10.00	14.00
207 (2X7)	12.00	16.00
208 (2X8)	14.00	18.00
209 (2X9)	16.00	20.00
210 (2X10)	18.00	22.00
211 (2X11)	20.00	24.00
212 (2X12)	22.00	26.00
219 (2X19)	36.00	40.00
220 (2X20)	38.00	42.00

Tolerance
X.X ±0.30
X.XX ±0.20
X.XXX ±0.10
Angle ±3.0°

CNJST 捷仕泰企业

Drawn: 王程伟 2022.09.10

Model No.: A2010Y-***-A6W-P

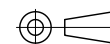
Checked: 吴丹平

Model Name: 2.00mm pitch Housing

Approved: 林旭芝

REV.	DATE	DESCRIPTION	APPD.	NO.	DESCRIPTION	QTY	MATERIAL	PLATING/COLOR
A	2022.09.10	NEW RELEASE		①	Insulator	1	PA66 (UL94V-0)	White

UNIT: mm



SCALE: FULL

REVISION: C/0

DWG NO. CNJST/GCCP-0208