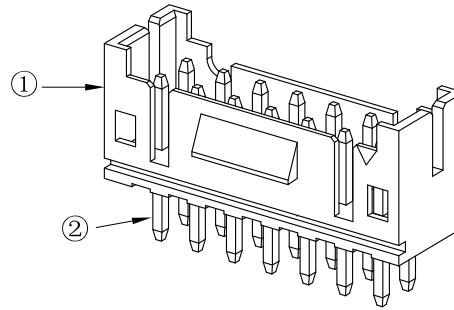
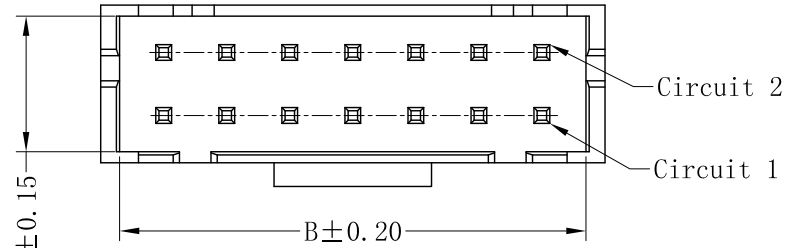


RoHS Compliant



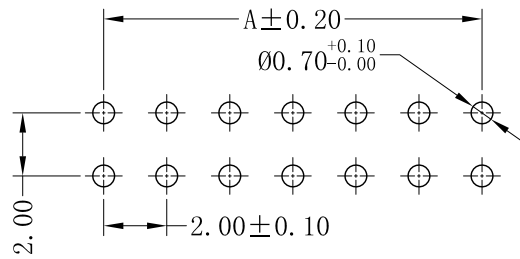
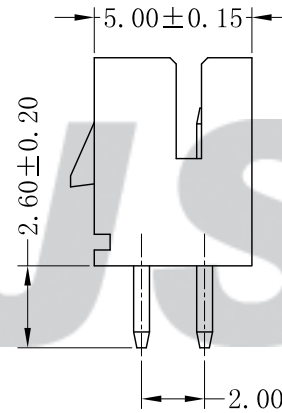
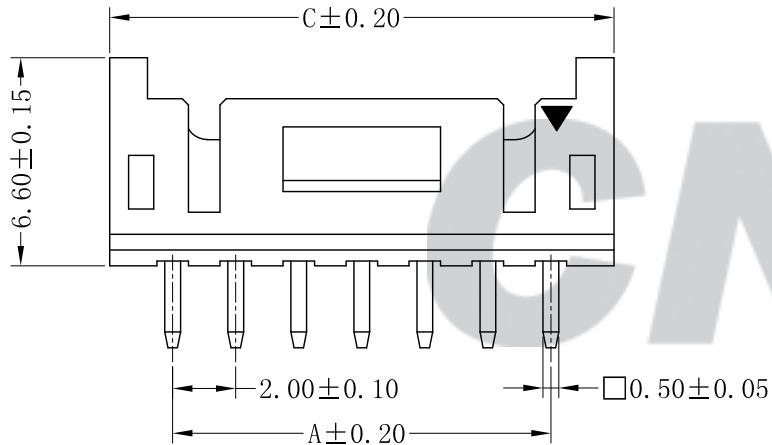
**SPECIFICATION**

- 1 Contact resistance:  $\leq 10\text{m}\Omega$
- 2 Insulation resistance:  $\geq 1000\text{M}\Omega$
- 3 Rated voltage: 250 V AC DC
- 4 Rated current: 3.0 A AC DC
- 5 Withstand Voltage: 800V AC/minute
- 6 Temperature Range:  $-25^{\circ}\text{C} \sim +85^{\circ}\text{C}$

**ORDER INFORMATION:**

**A2010A-\*\*\*-A1MA-B-D**

PART No.:			
No. OF CIRCUITS:			PACKAGING:
2X2~2X20			B=Tray
PLASTIC MATERIAL:			PLATING:
A1M=PA66(Nature)			A=Tin-Plated



**SUGGESTED PCB LAYOUT**  
(COMPONENT SIDE)

Circuits	Dimensions (mm)		
	A	B	C
202 (2X2)	2.00	4.70	5.90
203 (2X3)	4.00	6.70	7.90
204 (2X4)	6.00	8.70	9.90
205 (2X5)	8.00	10.70	11.90
206 (2X6)	10.00	12.70	13.90
207 (2X7)	12.00	14.70	15.90
208 (2X8)	14.00	16.70	17.90
209 (2X9)	16.00	18.70	19.90
210 (2X10)	18.00	20.70	21.90
211 (2X11)	20.00	22.70	23.90
212 (2X12)	22.00	24.70	25.90
213 (2X13)	24.00	26.70	27.90
214 (2X14)	26.00	28.70	29.90
215 (2X15)	28.00	30.70	31.90
216 (2X16)	30.00	32.70	33.90
217 (2X17)	32.00	34.70	35.90
218 (2X18)	34.00	36.70	37.90
219 (2X19)	36.00	38.70	39.90
220 (2X20)	38.00	40.70	41.90

Tolerance
X.X ±0.30
X.XX ±0.20
X.XXX ±0.10
Angle ±3.0°

**CNJST 捷仕泰企业**

Drawn: **王程伟** 2022.09.10

Model No.: A2010A-\*\*\*-A1MA-B-D  
Model Name: 2.00mm pitch 180° Wafer

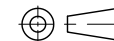
Checked: **吴丹平**

Approved: **林旭芝**

DWG NO. CNJST/GCCP-0252

REV.	DATE	DESCRIPTION	APPD.	NO.	DESCRIPTION	QTY	MATERIAL	PLATING/COLOR
C/0	2022.09.10	统一标准, 更新模板	王程伟	②	Contacts	4~40	Brass	Tin-plated
B/0	2018.01.09	NEW RELEASE		①	Insulator	1	PA66 (UL94V-0)	Nature

UNIT: mm



SCALE: FULL

REVISION: C/0