

RoHS Compliant

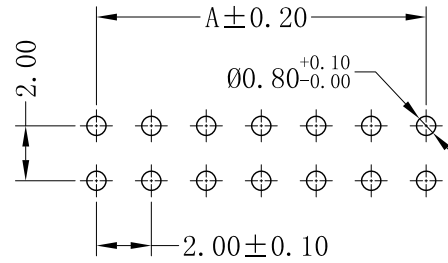
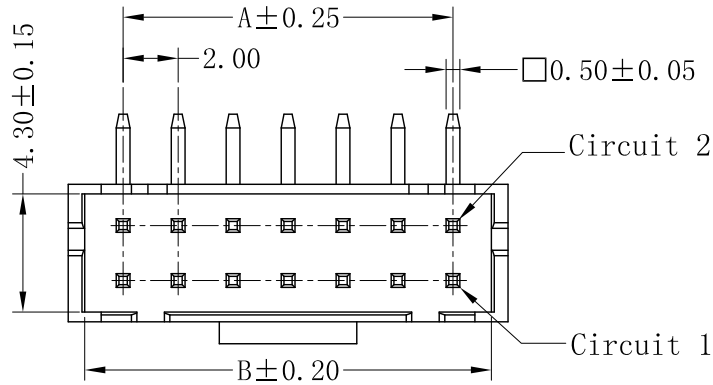
SPECIFICATION

- 1 Contact resistance: $\leq 10m\Omega$
- 2 Insulation resistance: $\geq 1000M\Omega$
- 3 Rated voltage: 250 V AC DC
- 4 Rated current: 3.0 A AC DC
- 5 Withstand Voltage: 800V AC/minute
- 6 Temperature Range: $-25^{\circ}C \sim +85^{\circ}C$

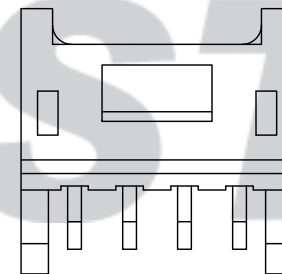
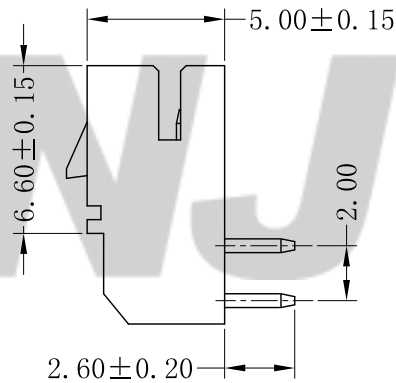
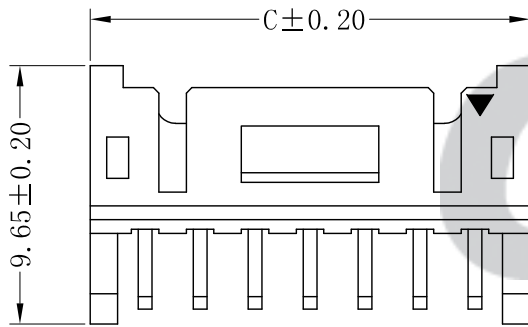
ORDER INFORMATION:

A2010AWD-*-A1MA-B-D**

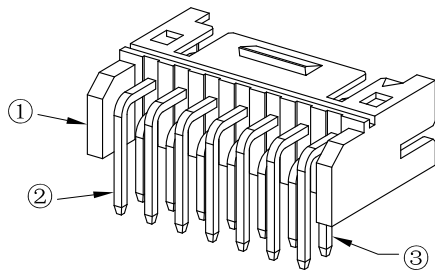
PART No. |
 No. OF CIRCUITS: | PACKAGING:
 2X2~2X22 | B=Tray
 PLASTIC MATERIAL: | PLATING:
 AIM=PA66 (Nature) | A=Tin-Plated



SUGGESTED PCB LAYOUT
(COMPONENT SIDE)



Circuits	Dimensions (mm)		
	A	B	C
202 (2X2)	2.00	4.70	5.90
203 (2X3)	4.00	6.70	7.90
204 (2X4)	6.00	8.70	9.90
205 (2X5)	8.00	10.70	11.90
206 (2X6)	10.00	12.70	13.90
207 (2X7)	12.00	14.70	15.90
208 (2X8)	14.00	16.70	17.90
209 (2X9)	16.00	18.70	19.90
210 (2X10)	18.00	20.70	21.90
211 (2X11)	20.00	22.70	23.90
212 (2X12)	22.00	24.70	25.90
213 (2X13)	24.00	26.70	27.90
214 (2X14)	26.00	28.70	29.90
215 (2X15)	28.00	30.70	31.90
216 (2X16)	30.00	32.70	33.90
217 (2X17)	32.00	34.70	35.90
218 (2X18)	34.00	36.70	37.90
219 (2X19)	36.00	38.70	39.90
220 (2X20)	38.00	40.70	41.90
221 (2X21)	40.00	42.70	43.90
222 (2X22)	42.00	44.70	45.90



							Tolerance X.X ±0.30 X.XX ±0.20 X.XXX ±0.10 Angle ±3.0°	CNJST 捷仕泰企业	Drawn: 王程伟 2022.09.10	
C/0	2022.09.10	统一标准, 更新模板	王程伟	③	Contacts 2	2~22	Brass		Tin-plated	Model No.: A2010AWD-***-A1MA-B-D
B/0	2020.08.24	NEW RELEASE		②	Contacts 1	2~22	Brass	Tin-plated	Model Name: 2.00mm pitch 90° Wafer	Approved: 林旭芝
REV.	DATE	DESCRIPTION	APPD.	NO.	DESCRIPTION	QTY	MATERIAL	PLATING/COLOR	UNIT: mm	DWG NO. CNJST/GCCP-0251