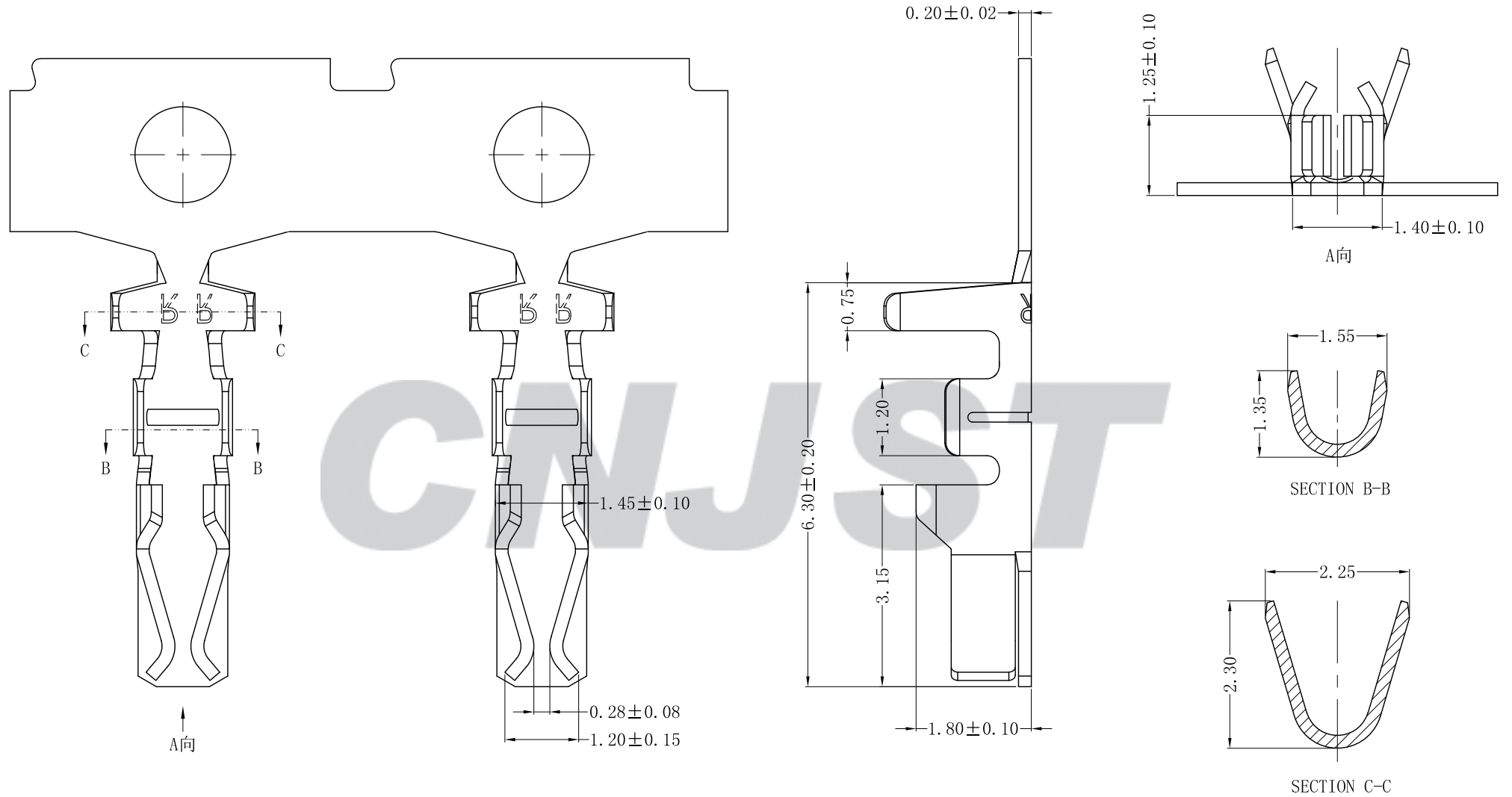


RoHS Compliant



Tolerance X.X ±0.30 X.XX ±0.20 X.XXX ±0.10 Angle ±3.0°	<b>CNJST</b> 捷仕泰企业		Drawn: 王程伟 2022.07.10
	Model No.: A2004T-PA-Z		Checked: 吴丹平
UNIT: mm	Model Name: 2.00mm PITCH CRIMP TERMINAL		Approved: 林旭芝
	SCALE: FULL	REVISION: C/0	DWG NO. CNJST/GCDZ-0008

REV.	DATE	DESCRIPTION	APPD.	Wire Range	Insulation O.D.	QTY/Reel	Material	Plating
C/0	2022.07.10	更新模板	王程伟					
B/0	2020.11.04	NEW RELEASE		AWG #22~#30	1.60mm (Max)	12,000PCS	Phosphor Bronze	Tin-plated