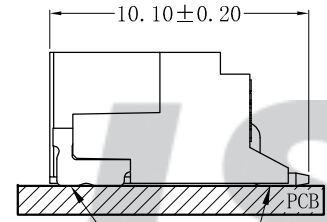
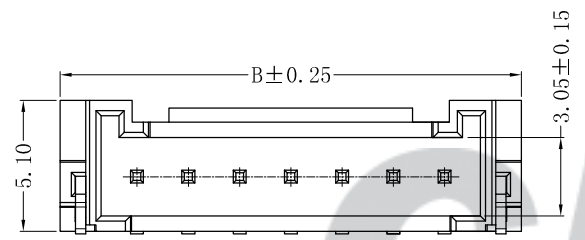
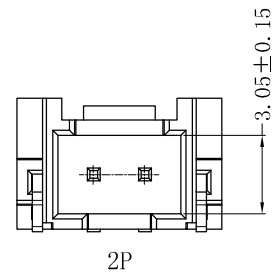
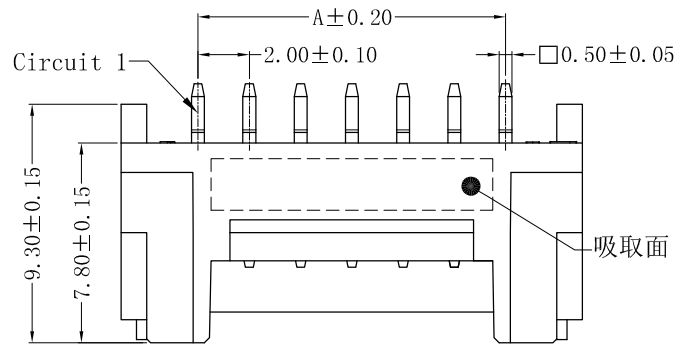
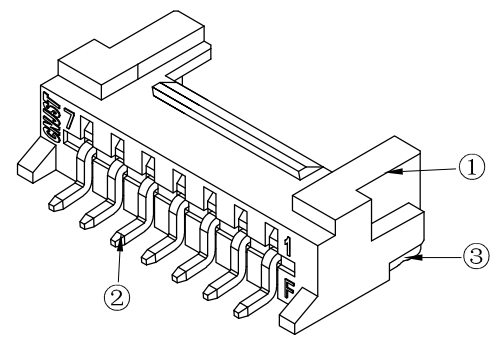
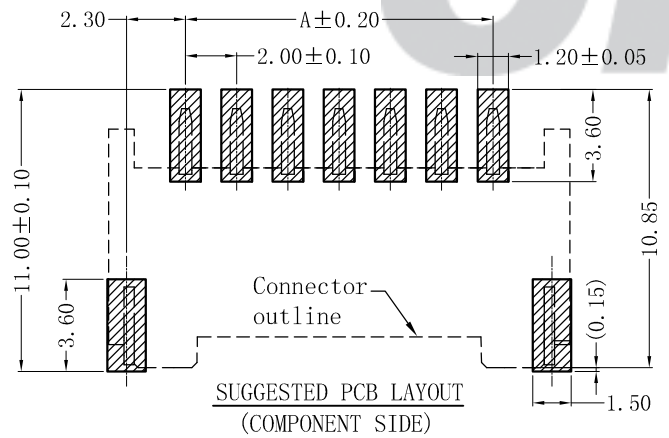


RoHS Compliant



产品平贴后固定PIN、PIN针与焊接面间隙不大于0.10mm



SPECIFICATION

- 1 Contact resistance: $\leq 20m\Omega$
- 2 Insulation resistance: $\geq 1000M\Omega$
- 3 Rated voltage: 250 V AC DC
- 4 Rated current: 3.0 A AC DC
- 5 Withstand Voltage: 1000V AC/minute
- 6 Temperature Range: $-25^{\circ}C \sim +85^{\circ}C$

ORDER INFORMATION:

A2004AWR--F2MB-R**
 PART No. _____
 No. OF CIRCUITS: _____ PACKAGING: R=Reel
 02~15
 PLASTIC MATERIAL: _____ PLATING: B=Matte Sn
 F2M=LCP (Nature)

Circuits	Dimensions (mm)		
	A	B	C
2	2.00	8.00	4.80
3	4.00	10.00	6.80
4	6.00	12.00	8.80
5	8.00	14.00	10.80
6	10.00	16.00	12.80
7	12.00	18.00	14.80
8	14.00	20.00	16.80
9	16.00	22.00	18.80
10	18.00	24.00	20.80
11	20.00	26.00	22.80
12	22.00	28.00	24.80
13	24.00	30.00	26.80
14	26.00	32.00	28.80
15	28.00	34.00	30.80

专利产品

REV.	DATE	DESCRIPTION	APPD.	NO.	DESCRIPTION	QTY	MATERIAL	PLATING/COLOR
C/1	2023.07.28	详见JST2023008	王丽君	③	Solder Tab	2	Brass	Tin-plated
C/0	2022.07.10	统一标准 更新模版	黄凌程	②	Contacts	2~15	Brass	Matte Sn
				①	Insulator	1	LCP (UL94V-0)	Nature

Tolerance X.X ±0.30 X.XX ±0.20 X.XXX ±0.10 Angle ±3.0° UNIT: mm	CNJST 捷仕泰企业		Drawn: 王丽君 2023.07.28
	Model No.: A2004AWR-**-F2MB-R		Checked: 吴丹平
	Model Name: 2.00mm pitch 90° WAFER-SMT TYPE		Approved: 林旭芝
	SCALE: FULL	REVISION: C/1	DWG NO. CNJST/GCCP-0274