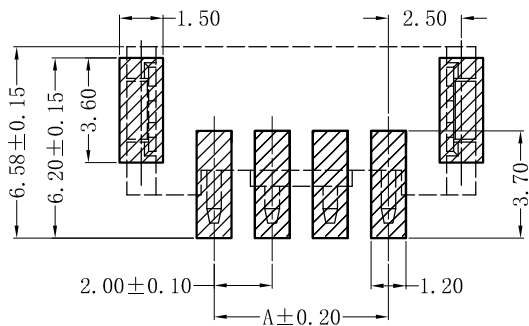
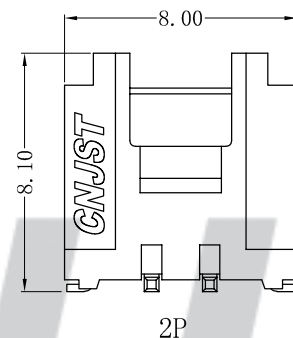
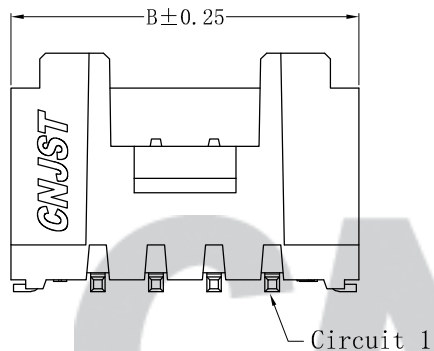
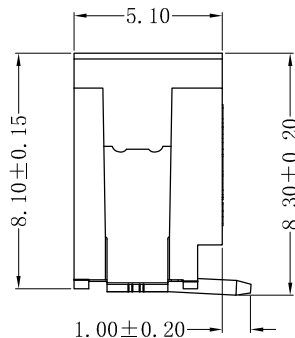
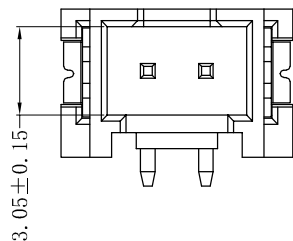
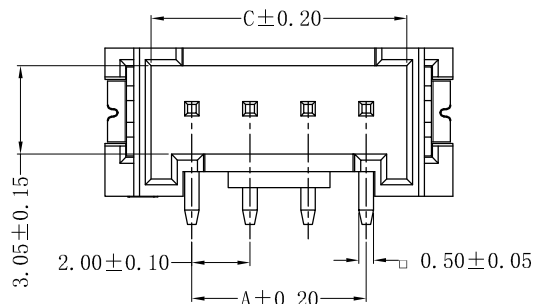
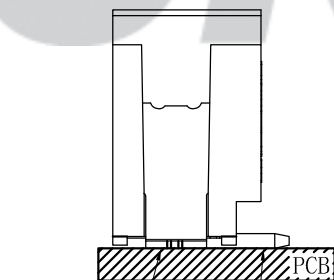


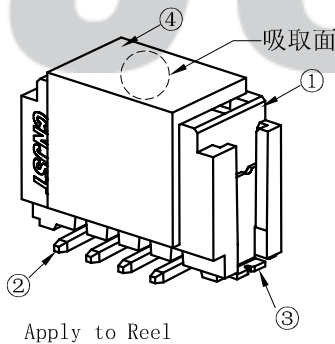
RoHS Compliant



SUGGESTED PCB LAYOUT
(COMPONENT SIDE)



产品平贴后固定PIN、PIN针
与焊接面间隙不大于0.1mm



Apply to Reel

SPECIFICATION

- 1 Contact resistance: $\leq 20m\Omega$
- 2 Insulation resistance: $\geq 1000M\Omega$
- 3 Rated voltage: 250 V AC DC
- 4 Rated current: 3.0 A AC DC
- 5 Withstand Voltage: 1000V AC/minute
- 6 Temperature Range: $-25^{\circ}C \sim +85^{\circ}C$

ORDER INFORMATION:

A2004AWV--F2MB-R-X-H**

PART No.		X=Cap
No. OF CIRCUITS:		PACKAGING:
102~15		R=Reel
PLASTIC MATERIAL:		PLATING:
F2M=LCP (Nature)		B=Matte Sn

Circuits	Dimensions (mm)		
	A	B	C
2	2.00	8.00	4.80
3	4.00	10.00	6.80
4	6.00	12.00	8.80
5	8.00	14.00	10.80
6	10.00	16.00	12.80
7	12.00	18.00	14.80
8	14.00	20.00	16.80
9	16.00	22.00	18.80
10	18.00	24.00	20.80
11	20.00	26.00	22.80
12	22.00	28.00	24.80
13	24.00	30.00	26.80
14	26.00	32.00	28.80
15	28.00	34.00	30.80

专利产品

REV.	DATE	DESCRIPTION	APPD.	NO.	DESCRIPTION	QTY	MATERIAL	PLATING/COLOR
C/O	2022.07.10	统一标准 更新模版	黄美程	④	Cap	1	LCP (UL94V-0)	Nature
B/O	2020.01.10	NEW RELEASE	徐广	③	Solder Tab	2	Phosphor Bronze	Tin-plated
				②	Contacts	2~15	Brass	Matte Sn
				①	Insulator	1	LCP (UL94V-0)	Nature

Tolerance	X.X ±0.30
	X.XX ±0.20
	X.XXX ±0.10
Angle	±3.0°
UNIT:	mm

CNJST 捷仕泰企业

Model No.: A2004AWV-**-F2MB-R-X-H

Model Name: 2.00mm pitch 180° WAFER-SMT TYPE

Drawn:	黄美程 2022.07.10
Checked:	吴丹平
Approved:	林旭芝
DWG NO.	CNJST/GCCP-0277