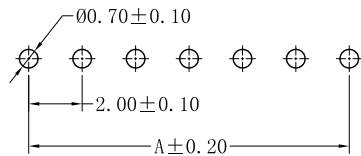
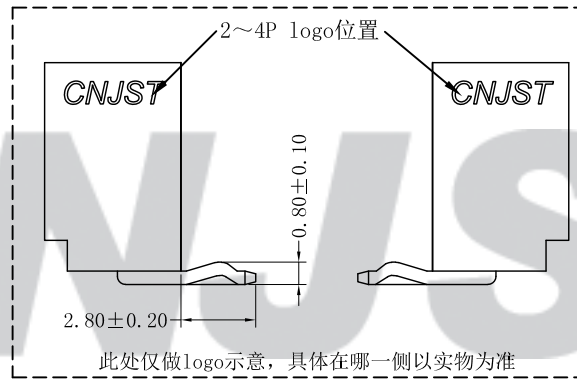
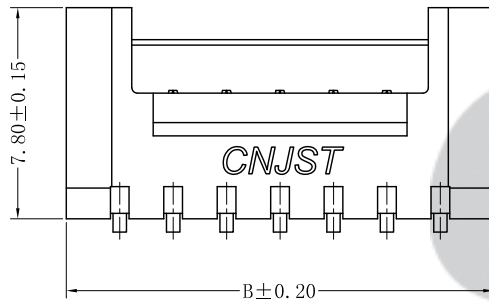
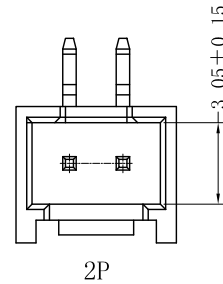
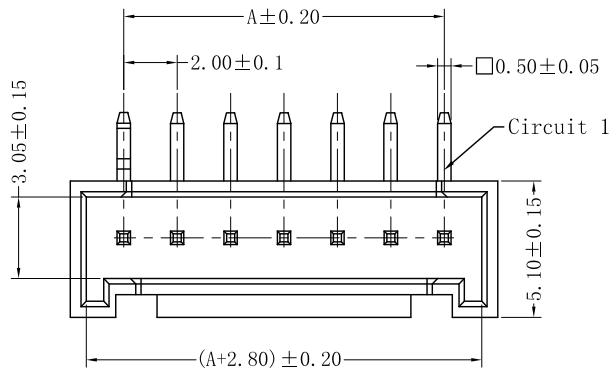
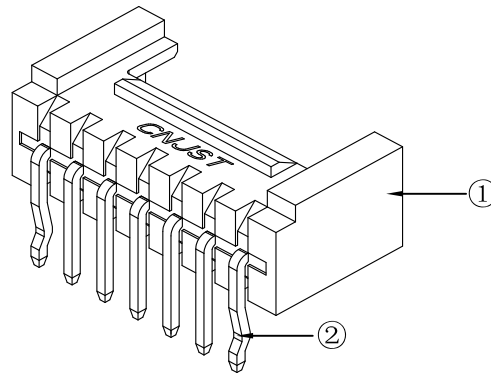


RoHS Compliant



SUGGESTED PCB LAYOUT  
(COMPONENT SIDE)



SPECIFICATION

- Contact resistance:  $\leq 20m\Omega$
- Insulation resistance:  $\geq 1000M\Omega$
- Rated voltage: 250 V AC DC
- Rated current: 3.0 A AC DC
- Withstand Voltage: 1000V AC/minute
- Temperature Range:  $-25^{\circ}C \sim +85^{\circ}C$

ORDER INFORMATION:

**A2004AW-\*\*-A1MA-P-D**

PART No.:		Special code:	
No. OF CIRCUITS:	02~15	D=Short PIN	
PLASTIC MATERIAL:	AIM=PA66	PACKAGING:	P=PE
		PLATING:	A=Tin-plated

Circuits	Dimensions (mm)	
	A	B
02	2.00	6.00
03	4.00	8.00
04	6.00	10.00
05	8.00	12.00
06	10.00	14.00
07	12.00	16.00
08	14.00	18.00
09	16.00	20.00
10	18.00	22.00
11	20.00	24.00
12	22.00	26.00
13	24.00	28.00
14	26.00	30.00
15	28.00	32.00

专利产品

Tolerance X.X ±0.30 X.XX ±0.20 X.XXX ±0.10 Angle ±3.0°	<b>CNJST</b> 捷仕泰企业	Drawn: 王丽君 2023.06.13
	Model No.: A2004AW-**-A1MA-P-D	Checked: 吴丹平
UNIT: mm	Model Name: 2.00mm PITCH 90° WAFER	Approved: 林旭芝
	SCALE: FULL	REVISION: C/1
		DWG NO. CNJST/GCCP-0063

REV.	DATE	DESCRIPTION	APPD.	NO.	DESCRIPTION	QTY	MATERIAL	PLATING/COLOR
C/1	2023.06.13	增加2~4P logo位置说明	王丽君	②	Contacts	2~15	Brass	Tin-plated
C/0	2022.07.10	统一标准, 更新模板	王程伟	①	Insulator	1	PA66 (UL94V-0)	Nature