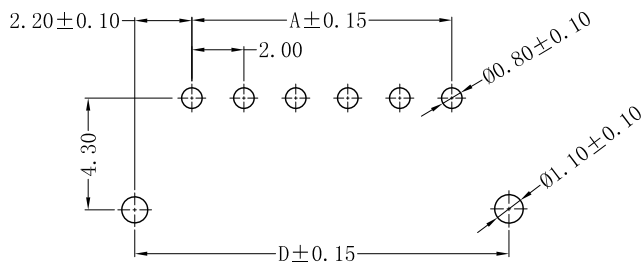
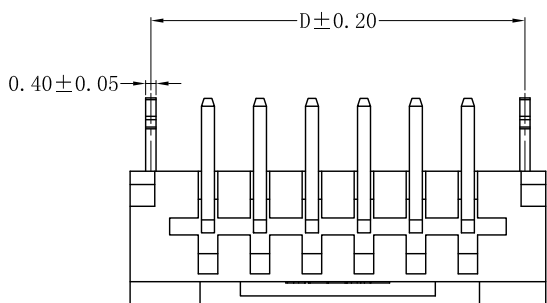
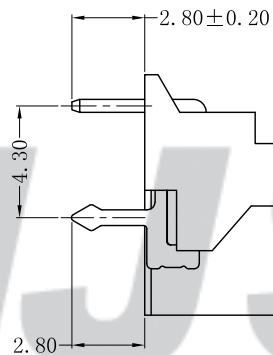
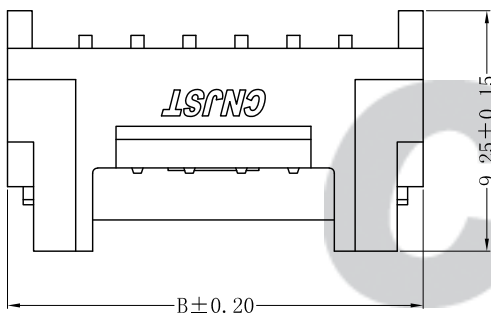
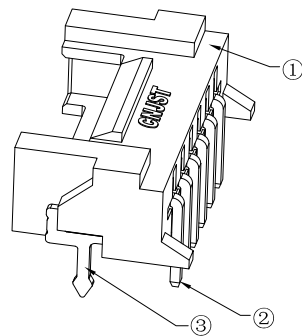
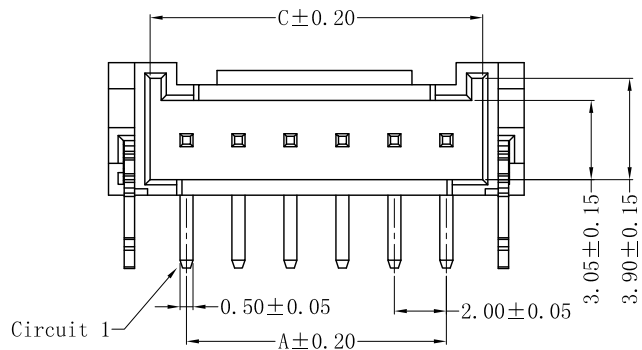


RoHS Compliant



SUGGESTED PCB LAYOUT  
(COMPONENT SIDE)

SPECIFICATION

- 1 Contact resistance:  $\leq 20m\Omega$
- 2 Insulation resistance:  $\geq 1000M\Omega$
- 3 Rated voltage: 250 V AC DC
- 4 Rated current: 3.0 A AC DC
- 5 Withstand Voltage: 1000V AC/minute
- 6 Temperature Range:  $-25^{\circ}C \sim +85^{\circ}C$

ORDER INFORMATION:

A2004AWB-\*\*-F2MB-G

PART No. \_\_\_\_\_  
 No. OF CIRCUITS: \_\_\_\_\_ PACKAGING: \_\_\_\_\_  
 02~15 G=TUBE  
 PLASTIC MATERIAL: \_\_\_\_\_ PLATING: \_\_\_\_\_  
 F2M=LCP (Nature) B=Matte Sn

Circuits	Dimensions (mm)			
	A	B	C	D
02	2.00	8.00	4.80	6.40
03	4.00	10.00	6.80	8.40
04	6.00	12.00	8.80	10.40
05	8.00	14.00	10.80	12.40
06	10.00	16.00	12.80	14.40
07	12.00	18.00	14.80	16.40
08	14.00	20.00	16.80	18.40
09	16.00	22.00	18.80	20.40
10	18.00	24.00	20.80	22.40
11	20.00	26.00	22.80	24.40
12	22.00	28.00	24.80	26.40
13	24.00	30.00	26.80	28.40
14	26.00	32.00	28.80	30.40
15	28.00	34.00	30.80	32.40

专利产品

Tolerance
X.X ±0.30
X.XX ±0.20
X.XXX ±0.10
Angle ±3.0°

**CNJST** 捷仕泰企业

Drawn: 王程伟 2022.07.10

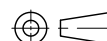
Model No.: A2004AWB-\*\*-F2MB-G

Checked: 吴丹平

Model Name: 2.00mm PITCH 90° WAFER

Approved: 林旭芝

UNIT: mm



SCALE: FULL

REVISION: C/0

DWG NO. CNJST/GCCP-0501

REV.	DATE	DESCRIPTION	APPD.	NO.	DESCRIPTION	QTY	MATERIAL	PLATING/COLOR
C/0	2022.07.10	统一标准, 更新模板	王程伟	③	Solder Tab	2	Brass	Matte Sn
B/0	2018.02.28	NEW RELEASE		②	Contacts	2~15	Brass	Matte Sn
REV.	DATE	DESCRIPTION	APPD.	①	Insulator	1	LCP (UL94V-0)	Nature