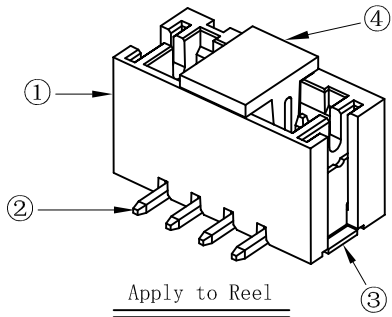
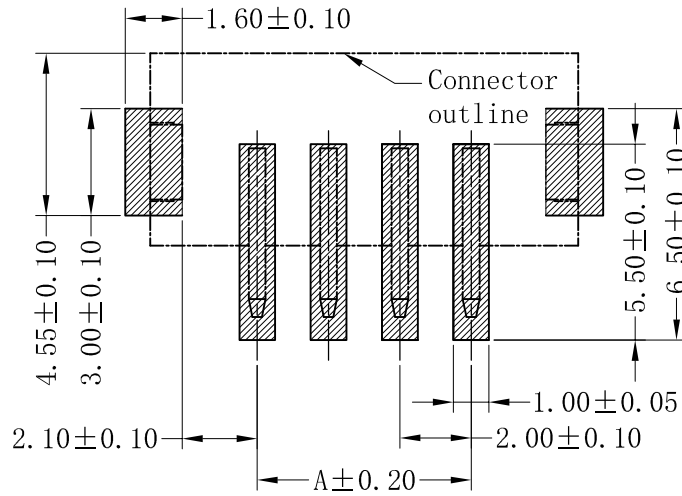
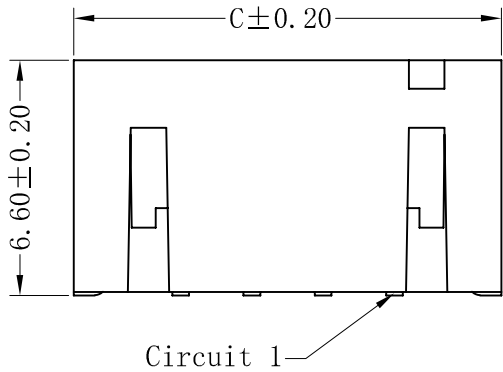
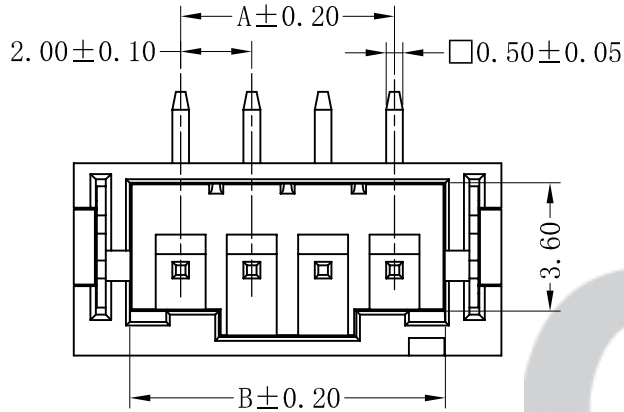


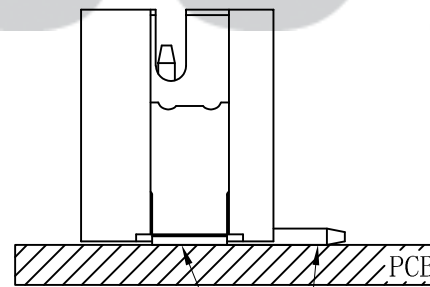
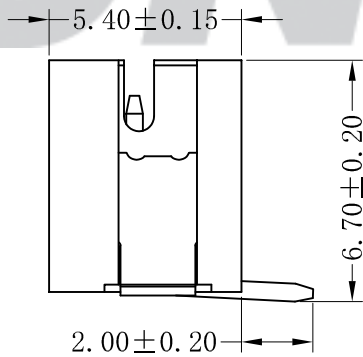
RoHS Compliant



Apply to Reel



SUGGESTED PCB LAYOUT
(COMPONENT SIDE)



产品平贴后固定PIN、PIN针
与焊接面间隙不大于0.10mm

SPECIFICATION

- 1 Contact resistance: $\leq 20\text{m}\Omega$
- 2 Insulation resistance: $\geq 1000\text{M}\Omega$
- 3 Rated voltage: 200 V AC DC
- 4 Rated current: 2.0 A AC DC
- 5 Withstand Voltage: 800V AC/minute
- 6 Temperature Range: $-25^{\circ}\text{C} \sim +85^{\circ}\text{C}$

ORDER INFORMATION:

A2001AWV-**-F2MA-R-X			
PART No.			SPECIAL CODE:
No. OF CIRCUITS:			X=CAP
02~16			PACKAGING:
			R=REEL
PLASTIC MATERIAL:			PLATING:
F2M=LCP(Nature)			A=Tin-plated

Circuits	Dimensions (mm)		
	A	B	C
02	2.00	4.80	8.00
03	4.00	6.80	10.00
04	6.00	8.80	12.00
05	8.00	10.80	14.00
06	10.00	12.80	16.00
07	12.00	14.80	18.00
08	14.00	16.80	20.00
09	16.00	18.80	22.00
10	18.00	20.80	24.00
11	20.00	22.80	26.00
12	22.00	24.80	28.00
13	24.00	26.80	30.00
14	26.00	28.80	32.00
15	28.00	30.80	34.00
16	30.00	32.80	36.00

专利产品

REV.	DATE	DESCRIPTION	APPD.	NO.	DESCRIPTION	QTY	MATERIAL	PLATING/COLOR
C/0	2022.08.01	统一标准 更新模版	黄美程	④	Cap	1	LCP(UL94V-0)	Nature
B/0	2020.01.09	NEW RELEASE	黄金林	③	Solder Tab	2	Phosphor Bronze	Tin-plated
				②	Contacts	2~16	Brass	Tin-plated
				①	Insulator	1	LCP(UL94V-0)	Nature

Tolerance	X.X ±0.30
	X.XX ±0.20
	X.XXX ±0.10
Angle	±3.0°
UNIT:	mm

CNJST 捷仕泰企业

Model No.: A2001AWV-**-F2MA-R-X

Model Name: 2.00mm PITCH 180° WAFER-SMT TYPE

SCALE: FULL

REVISION: C/0

Drawn: 黄美程 2022.08.01
Checked: 吴丹平
Approved: 林旭芝
DWG NO.: CNJST/GCCP-0050