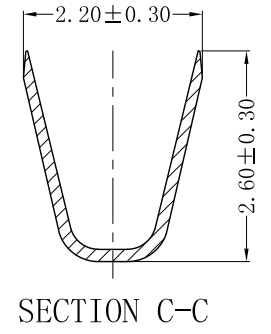
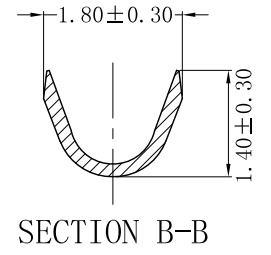
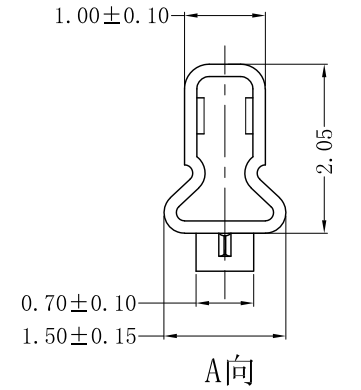
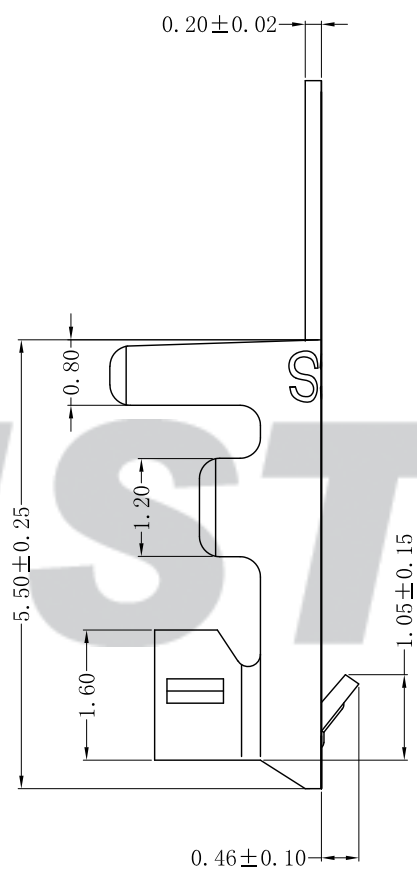
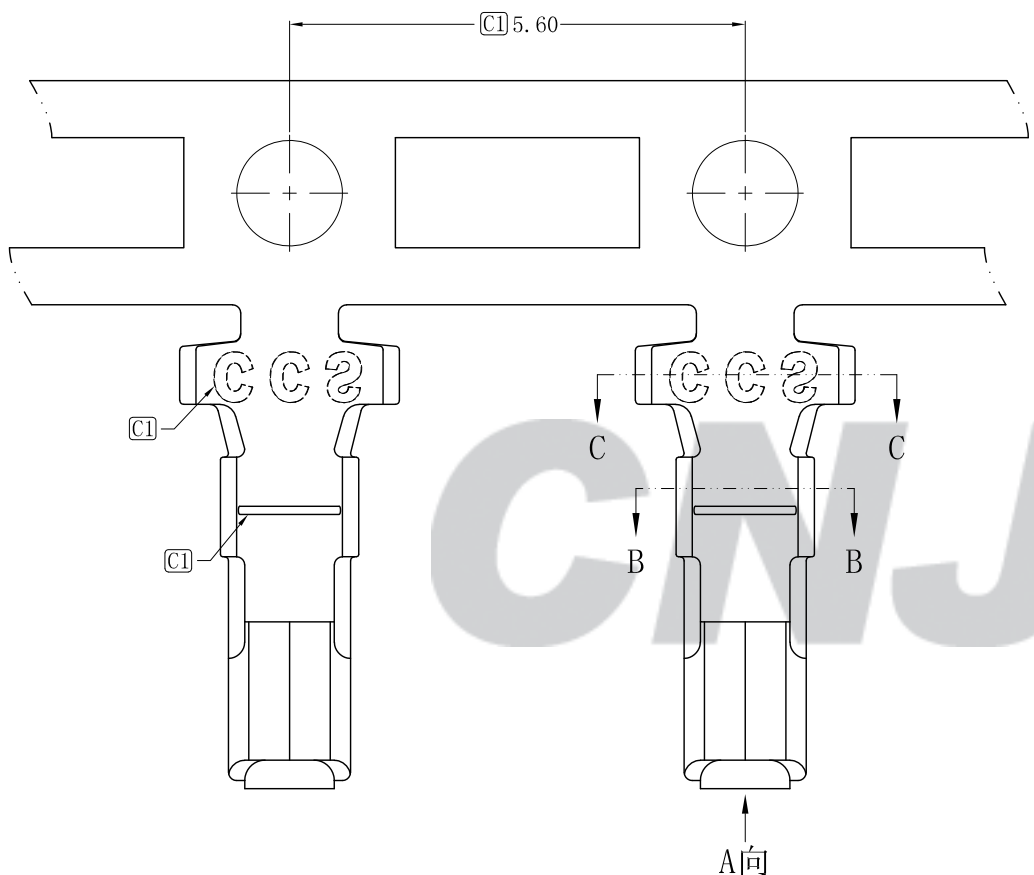


RoHS Compliant



专利产品

C/2	2023.05.30	ECR: JST2023004	王程伟						
C/1	2023.03.11	ECR: JST2023002	王程伟						
C/0	2022.11.14	更新图框	王程伟						
B/1	2020.01.09	NEW RELEASE		AWG #24~#32	1.60mm (Max)	12,000PCS	Phosphor Bronze	Tin-plated	
REV.	DATE	DESCRIPTION	APPD.	Wire Range	Insulation O.D.	QTY/Reel [C2]	Material	Plating	

Tolerance	
X.X	±0.30
X.XX	±0.20
X.XXX	±0.10
Angle	±3.0°
UNIT: mm	

**CNJST** 捷仕泰企业

Model No.: A2001T-PA-Z

Model Name: 2.00mm PITCH CRIMP TERMINAL

SCALE: FULL REVISION: C/2

Drawn: 王程伟 2023.05.30
Checked: 吴丹平
Approved: 林旭芝
DWG NO. CNJST/GCDZ-0006