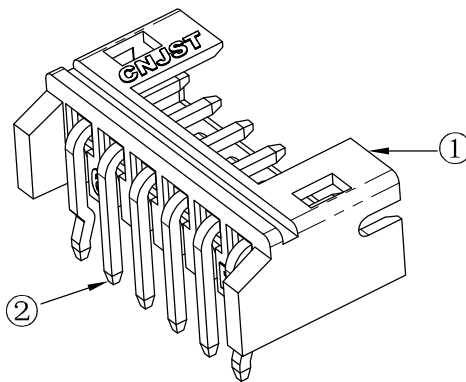
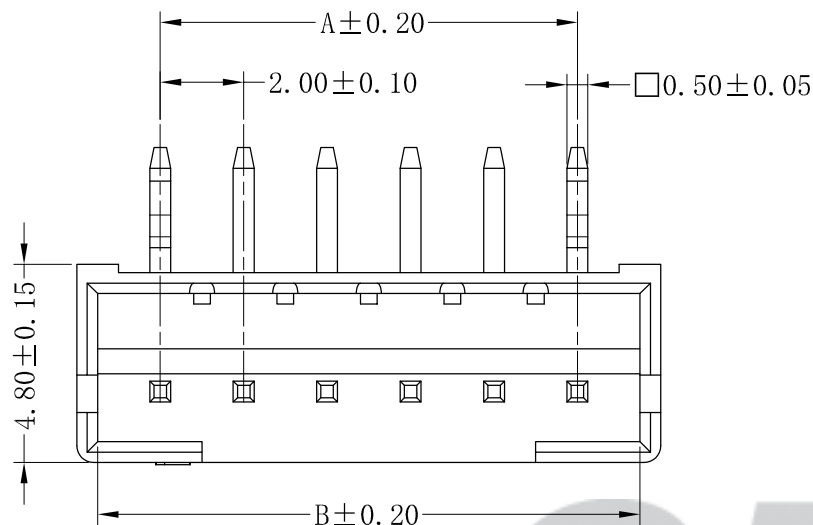


RoHS Compliant



SPECIFICATION

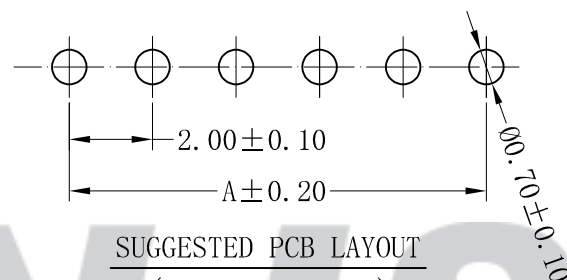
- 1 Contact resistance: $\leq 20m\Omega$
- 2 Insulation resistance: $\geq 10000M\Omega$
- 3 Rated voltage: 200 V AC DC
- 4 Rated current: 2.0 A AC DC
- 5 Withstand Voltage: 800V AC/minute
- 6 Temperature Range: $-25^{\circ}C \sim +85^{\circ}C$

ORDER INFORMATION:

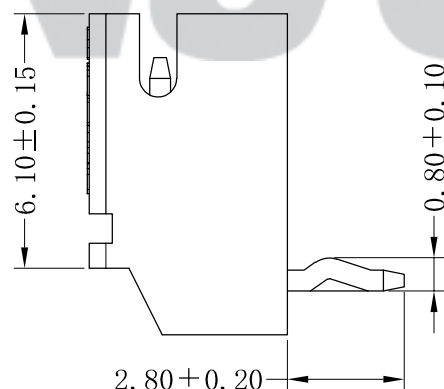
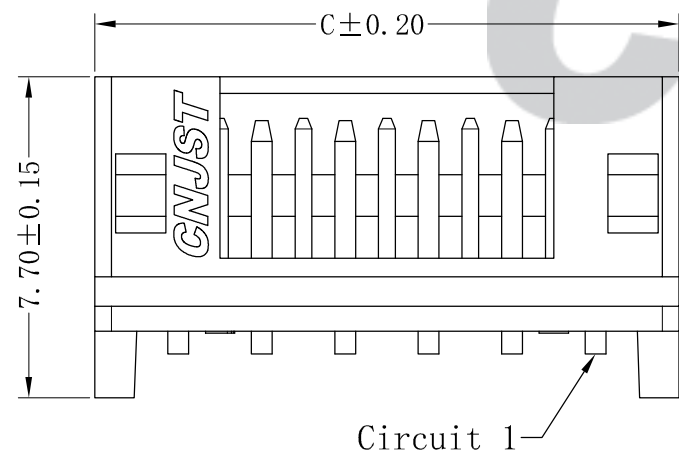
A2001AWD--A1MA-**-D**

PART No. _____
 No. OF CIRCUITS: _____
 02~16
 PLASTIC MATERIAL: _____
 A1M=PA66

PACKAGING:
 P=PE (2~4PIN)
 B=Tray (5~15PIN)
 PLATING:
 A=tin-plated



SUGGESTED PCB LAYOUT
(COMPONENT SIDE)



Circuits	Dimensions (mm)		
	A	B	C
02	2.00	5.00	6.00
03	4.00	7.00	8.00
04	6.00	9.00	10.00
05	8.00	11.00	12.00
06	10.00	13.00	14.00
07	12.00	15.00	16.00
08	14.00	17.00	18.00
09	16.00	19.00	20.00
10	18.00	21.00	22.00
11	20.00	23.00	24.00
12	22.00	25.00	26.00
13	24.00	27.00	28.00
14	26.00	29.00	30.00
15	28.00	31.00	32.00
16	30.00	33.00	34.00

专利产品

Tolerance X.X ±0.30 X.XX ±0.20 X.XXX ±0.10 Angle ±3.0°	CNJST 捷仕泰企业		Drawn: 黄美程 2022.08.01
	Model No.: A2001AWD-**-A1MA-**-D		Checked: 吴丹平
UNIT: mm	Model Name: 2.00mm PITCH 90° WAFER		Approved: 林旭芝
		SCALE: FULL	REVISION: C/0
			DWG NO.: CNJST/GCCP-0047

REV.	DATE	DESCRIPTION	APPD.	NO.	DESCRIPTION	QTY	MATERIAL	PLATING/COLOR
C/0	2022.08.01	统一标准 更新模版	黄美程	②	Contacts	2~16	Brass	Tin-plated
B/0	2019.07.11	NEW RELEASE	黄金林	①	Insulator	1	PA66 (UL94V-0)	Nature