

RoHS Compliant

SPECIFICATION

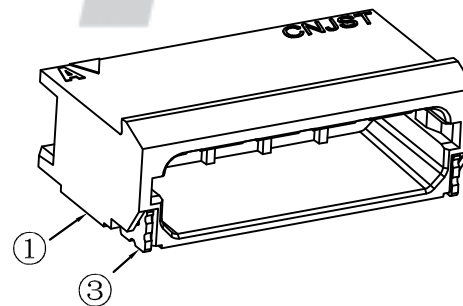
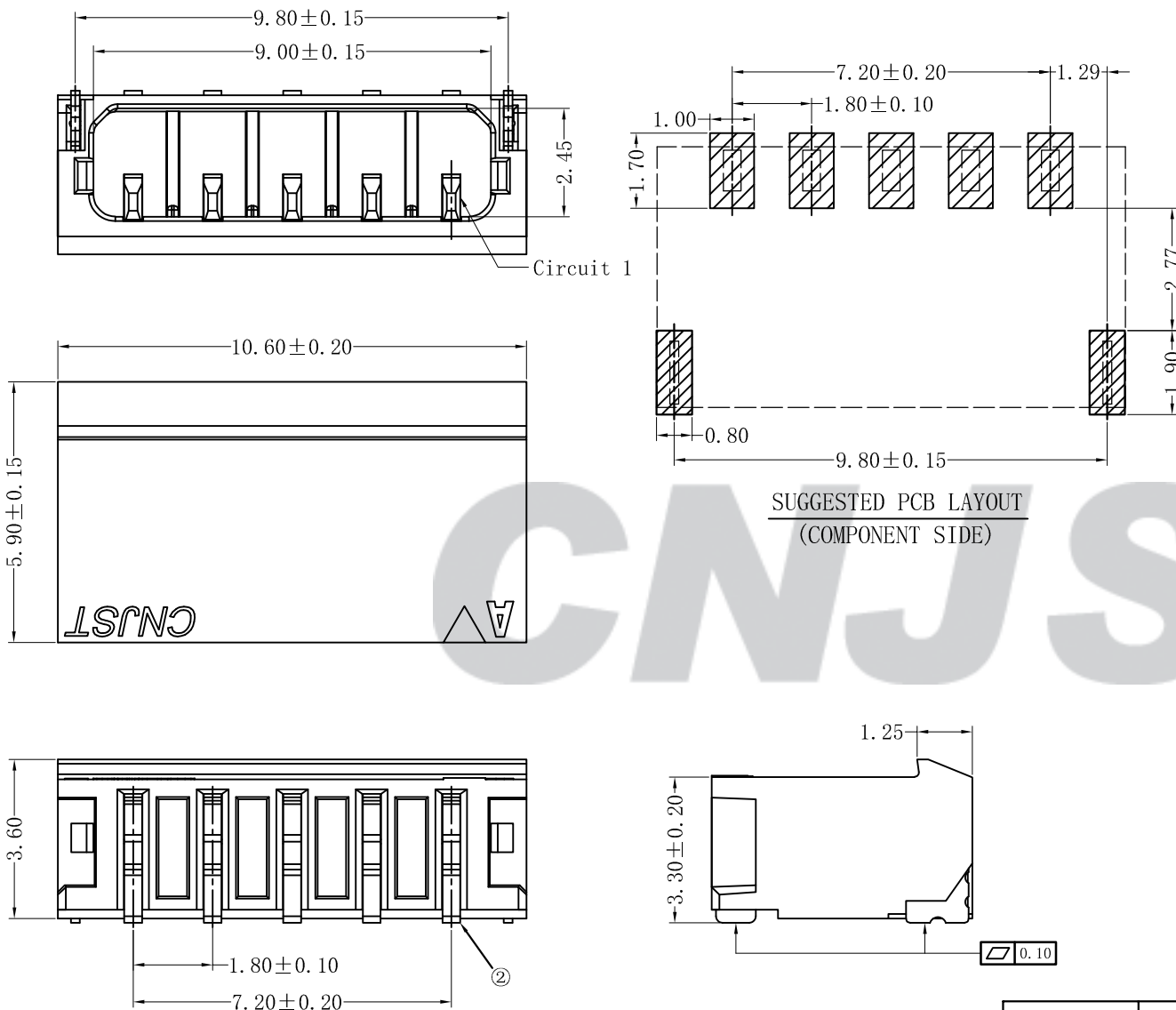
- 1 Contact resistance: $\leq 10m\Omega$
- 2 Insulation resistance: $\geq 1000M\Omega$
- 3 Rated voltage: 350 V AC DC
- 4 Rated current: 3.0 A AC DC
- 5 Withstand Voltage: 1700V AC/minute
- 6 Temperature Range: $-25^{\circ}C \sim +85^{\circ}C$

ORDER INFORMATION:

A1802AWRR-05-F2MB-R

PART No.		PACKAGING:
No. OF CIRCUITS:	05	R=Reel
PLASTIC MATERIAL:	F2M=LCP (Nature)	PLATING:
		B=Matte Sn

SUGGESTED PCB LAYOUT
(COMPONENT SIDE)



专利产品

REV.	DATE	DESCRIPTION	APPD.	NO.	DESCRIPTION	QTY	MATERIAL	PLATING/COLOR
C/O	2022.07.20	统一标准 更新模版	黄美程	③	Solder Tab	2	Phosphor Bronze	Matte Sn
B/O	2020.08.22	NEW RELEASE	黄金林	②	Contacts	5	Phosphor Bronze	Matte Sn
				①	Insulator	1	LCP (UL94V-0)	Nature

Tolerance	
X.X	± 0.30
X.XX	± 0.20
X.XXX	± 0.10
Angle	$\pm 3.0^{\circ}$
UNIT:	mm

CNJST 捷仕泰企业	
Model No.: A1802AWRR-05-F2MB-R	
Model Name: 1.80mm pitch 90° Wafer-SMT TYPE	
	SCALE: FULL
	REVISION: C/O

Drawn: 黄美程 2022.07.20
Checked: 吴丹平
Approved: 林旭芝
DWG NO. CNJST/GCCP-0257