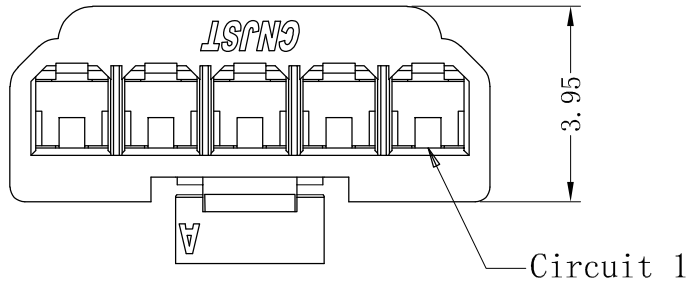
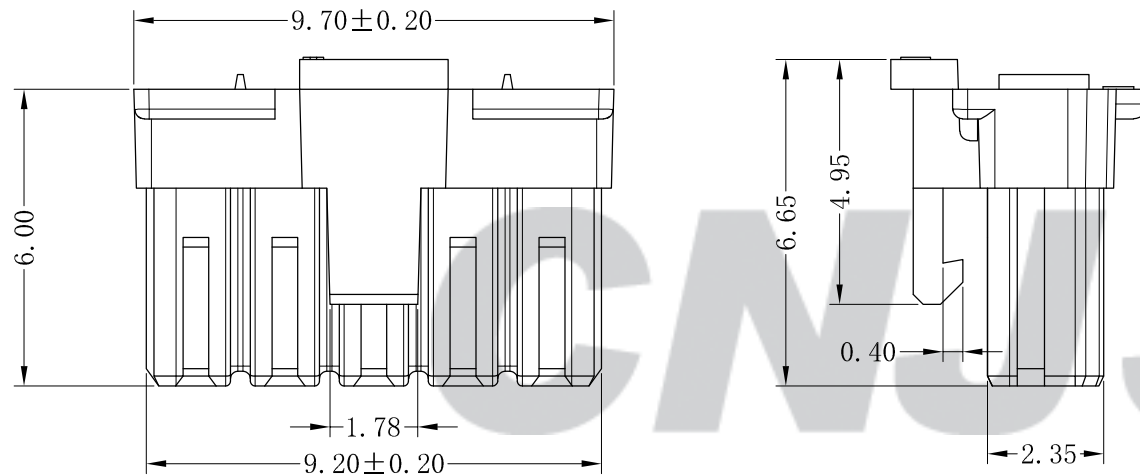


RoHS Compliant



SPECIFICATION

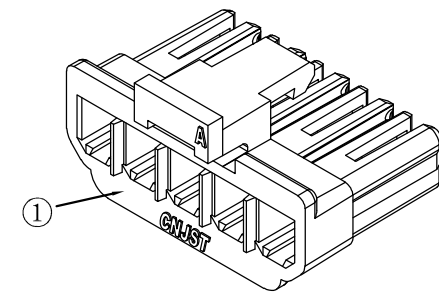
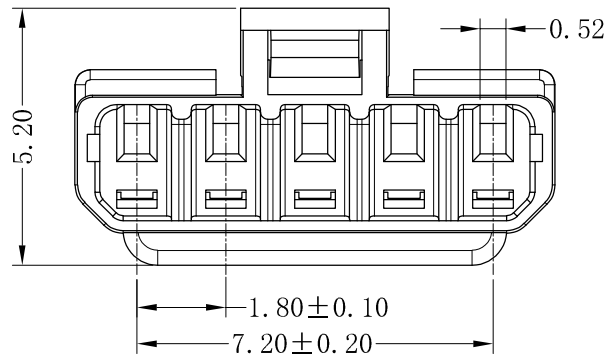
- 1 Contact resistance:  $\leq 10\text{m}\Omega$
- 2 Insulation resistance:  $\geq 1000\text{M}\Omega$
- 3 Rated voltage: 350 V AC DC
- 4 Rated current: 3.0 A AC DC
- 5 Withstand Voltage: 1700V AC/minute
- 6 Temperature Range:  $-25^{\circ}\text{C} \sim +85^{\circ}\text{C}$



ORDER INFORMATION:

**A1802YR-05-A6W-P**

PART No.		PACKAGING:
No. OF CIRCUITS:	05	P=PE
PLASTIC MATERIAL:	A6W=PA66 (White)	



专利产品

Tolerance X.X ±0.30 X.XX ±0.20 X.XXX ±0.10 Angle ±3.0°	<b>CNJST 捷仕泰企业</b>		Drawn: 黄美程 2022.07.20
	Model No.: A1802YR-05-A6W-P		Checked: 吴丹平
	Model Name: 1.80mm pitch Housing		Approved: 林旭芝
	UNIT: mm	SCALE: FULL	REVISION: C/0
			DWG NO. CNJST/GCCP-0258

REV.	DATE	DESCRIPTION	APPD.	NO.	DESCRIPTION	QTY	MATERIAL	PLATING/COLOR
C/0	2022.07.20	统一标准 更新模版	黄美程					
B/0	2020.08.22	NEW RELEASE	黄美程	①	Insulator	1	PA66 (UL94V-0)	White