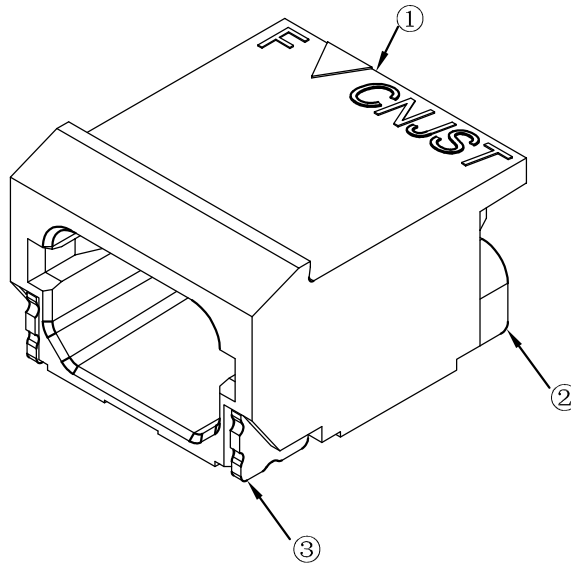
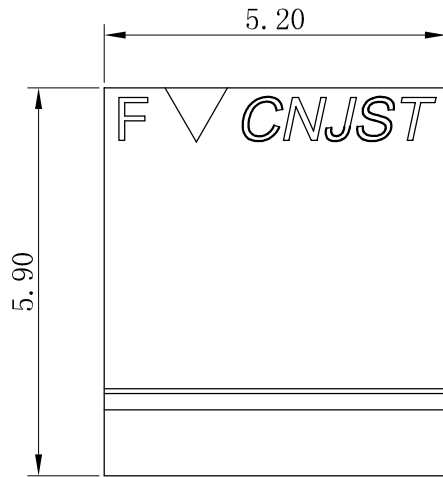


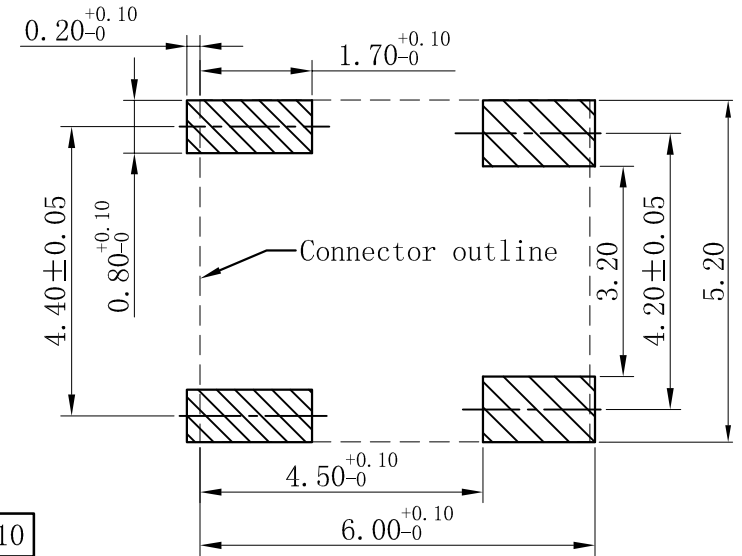
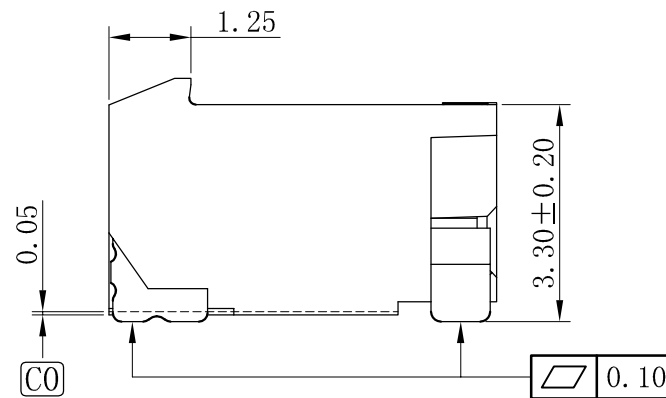
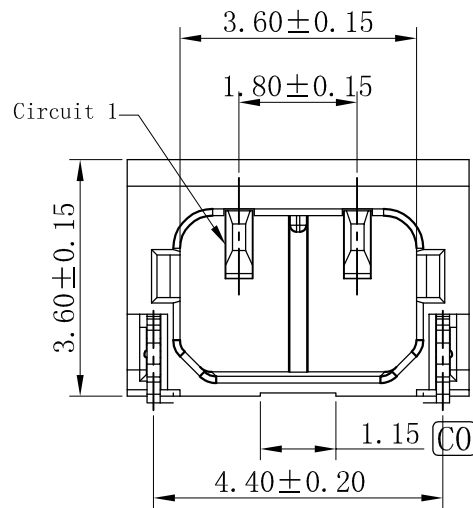
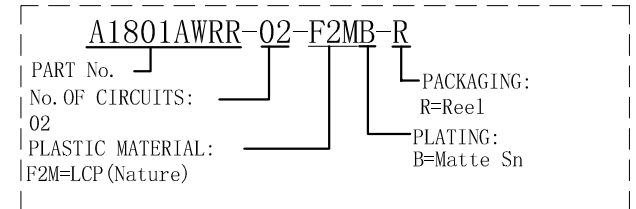
RoHS Compliant



SPECIFICATION

- 1 Contact resistance:  $\leq 10\text{m}\Omega$
- 2 Insulation resistance:  $\geq 1000\text{M}\Omega$
- 3 Rated voltage: 350 V AC DC
- 4 Rated current: 3.0 A AC DC
- 5 Withstand Voltage: 1700V AC/minute
- 6 Temperature Range:  $-25^{\circ}\text{C} \sim +85^{\circ}\text{C}$

ORDER INFORMATION:



SUGGESTED PCB LAYOUT  
(COMPONENT SIDE)

专利产品

C/O	2022. 07. 12	更新模板 塑件增加沉台 (详见ECR2022009)	李浩然
B/O	2020. 08. 22	NEW RELEASE	王程伟
REV.	DATE	DESCRIPTION	APPD.

③	Solder Tab	2	Phosphor Bronze	Matte Sn
②	Contacts	2	Phosphor Bronze	Matte Sn
①	Insulator	1	LCP (UL94V-0)	Nature
NO.	DESCRIPTION	QTY	MATERIAL	PLATING/COLOR

Tolerance	
X.X	$\pm 0.30$
X.XX	$\pm 0.20$
X.XXX	$\pm 0.10$
Angle	$\pm 3.0^{\circ}$
UNIT:	mm

<b>CNJST</b> 捷仕泰企业	
Model No.: A1801AWRR-02-F2MB-R	
Model Name: 1.80mm pitch 90° WAFER-SMT TYPE	
	SCALE: FULL
	REVISION: C/O

Drawn: 李浩然 2022. 7. 12
Checked: 吴丹平
Approved: 林旭芝
DWG NO. CNJST/GCCP-0313