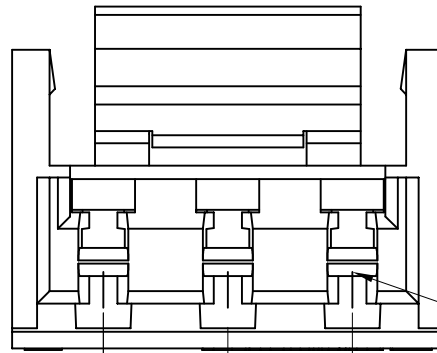


RoHS Compliant



Circuit 1

1.50 ± 0.10

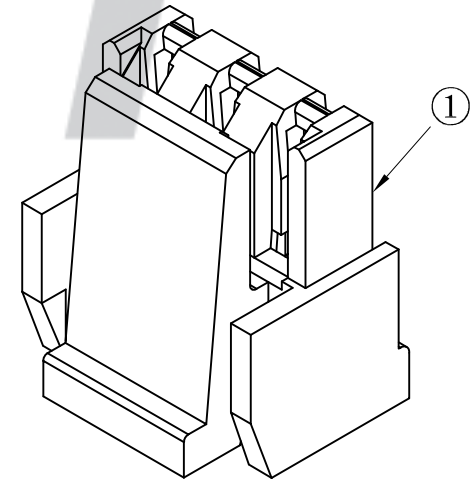
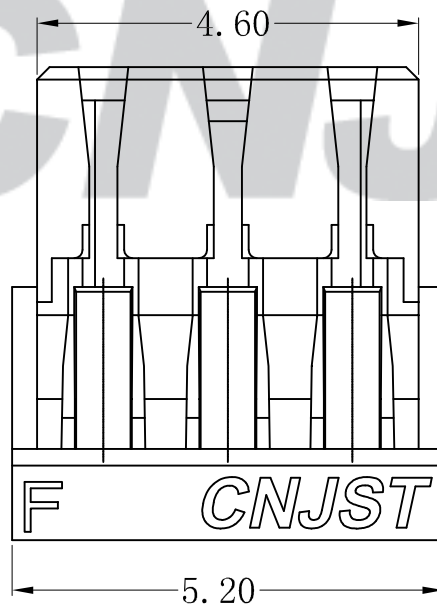
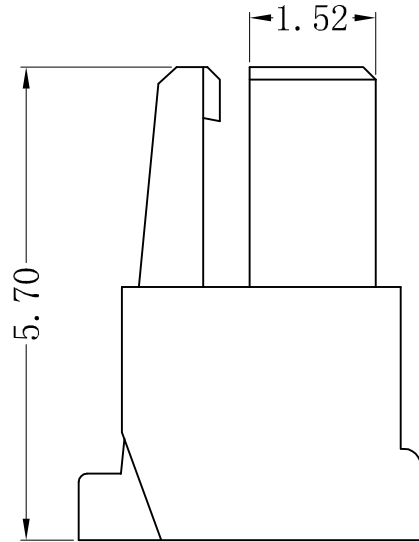
3.00 ± 0.15

SPECIFICATION

- 1 Contact resistance: $\leq 30m\Omega$
- 2 Insulation resistance: $\geq 1000M\Omega$
- 3 Rated voltage: 250 V AC DC
- 4 Rated current: 1.0 A AC DC
- 5 Withstand Voltage: 800V AC/minute
- 6 Temperature Range: -25°C ~ +85°C

ORDER INFORMATION:

A1503Y-03-A6W-P		
PART No.		PACKAGING:
No. OF CIRCUITS:	03	P=PE
		PLASTIC MATERIAL:
		A6W=PA66 (WHITE)



专利产品

Tolerance X.X ±0.30 X.XX ±0.20 X.XXX ±0.10 Angle ±3.0° UNIT: mm	CNJST 捷仕泰企业		Drawn: 黄美程 2022.07.15
	Model No.: A1503Y-03-A6W-P		Checked: 吴丹平
	Model Name: 1.50mm pitch Housing		Approved: 林旭芝
		SCALE: FULL	REVISION: C/0
			DWG NO. CNJST/GCCP-0547

REV.	DATE	DESCRIPTION	APPD.	NO.	DESCRIPTION	QTY	MATERIAL	PLATING/COLOR
C/0	2022.07.15	统一标准 更新模版	黄美程					
B/0	2019.08.07	NEW RELEASE	王炜彬	①	Insulator	1	PA66 (UL94V-0)	White