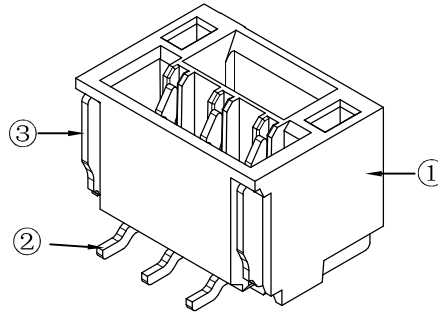
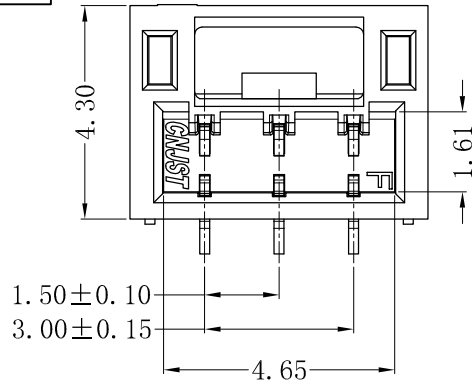


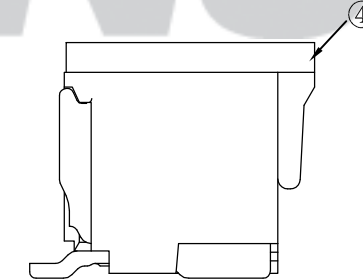
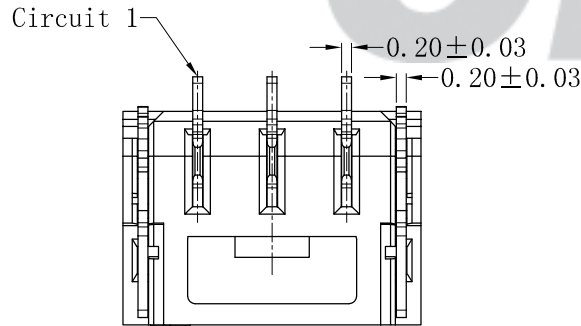
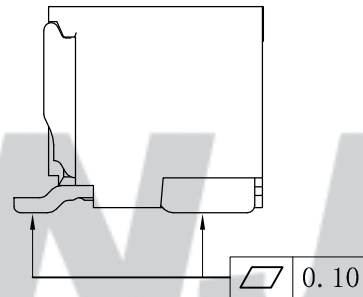
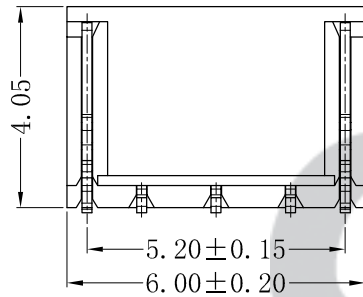
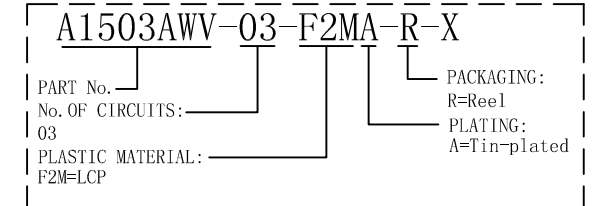
RoHS Compliant



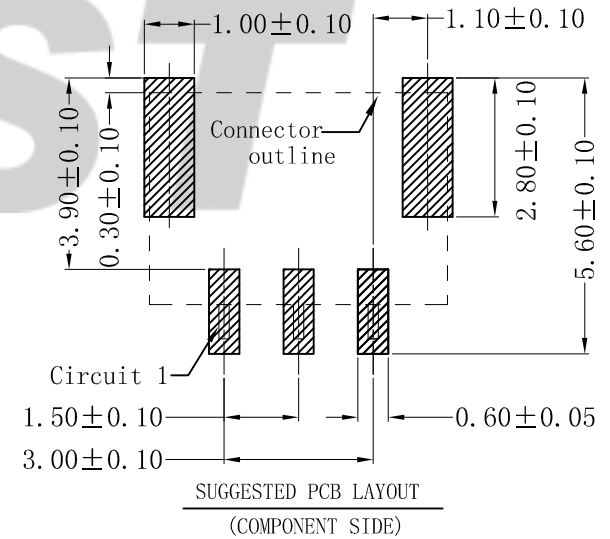
SPECIFICATION

- 1 Contact resistance: $\leq 30m\Omega$
- 2 Insulation resistance: $\geq 1000M\Omega$
- 3 Rated voltage: 250 V AC DC
- 4 Rated current: 1.0 A AC DC
- 5 Withstand Voltage: 800V AC/minute
- 6 Temperature Range: $-25^{\circ}C \sim +85^{\circ}C$

ORDER INFORMATION:



Apply to Reel



专利产品

REV.	DATE	DESCRIPTION	APPD.	NO.	DESCRIPTION	QTY	MATERIAL	PLATING/COLOR
				④	Cap	1	LCP (UL94V-0)	Nature
				③	Solder Tab	2	Brass	Tin-plated
C/0	2022.07.15	统一标准 更新模版	黄美程	②	Contacts	3	Phosphor Bronze	Tin-plated
B/0	2021.03.05	NEW RELEASE	王炜彬	①	Insulator	1	LCP (UL94V-0)	Nature

Tolerance	X.X ±0.30
	X.XX ±0.20
	X.XXX ±0.10
Angle	±3.0°
UNIT:	mm

CNJST 捷仕泰企业

Model No.: A1503AWV-03-F2MA-R-X

Model Name: 1.50mm pitch 180° WAFER-SMT TYPE

SCALE: FULL REVISION: C/0

Drawn: 黄美程 2022.07.15
Checked: 吴丹平
Approved: 林旭芝
DWG NO. CNJST/GCCP-0752