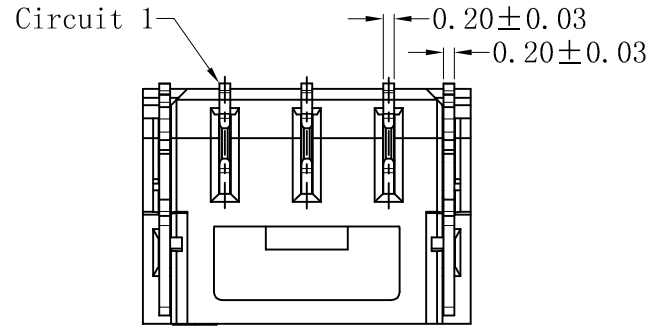
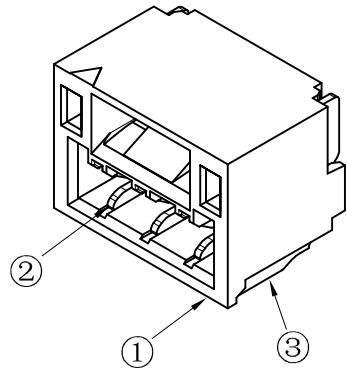


RoHS Compliant



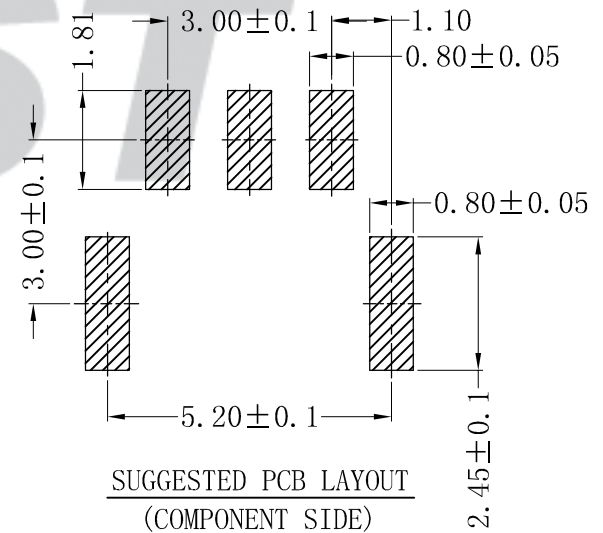
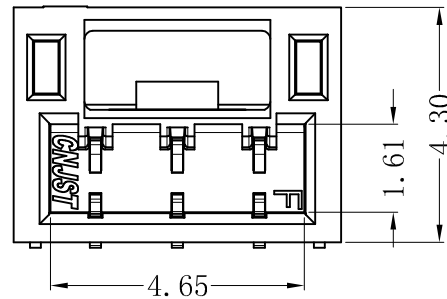
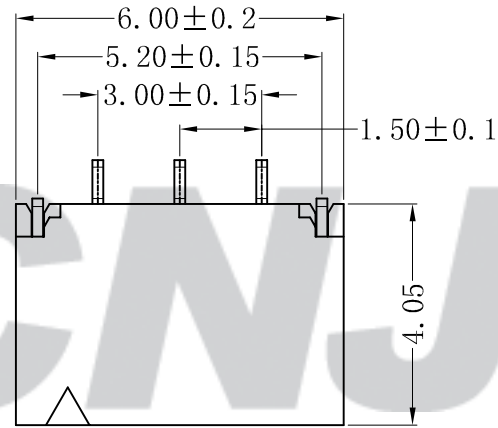
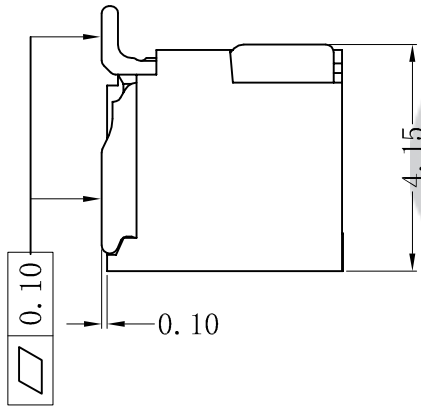
SPECIFICATION

- 1 Contact resistance: $\leq 30m\Omega$
- 2 Insulation resistance: $\geq 1000M\Omega$
- 3 Rated voltage: 250 V AC DC
- 4 Rated current: 1.0 A AC DC
- 5 Withstand Voltage: 800V AC/minute
- 6 Temperature Range: $-25^{\circ}C \sim +85^{\circ}C$

ORDER INFORMATION:

A1503AWR-03-F2MA-R

PART No.		PACKAGING:
No. OF CIRCUITS:		R=Reel
PLASTIC MATERIAL:		PLATING:
F2M=LCP		A=Tin-plated



专利产品

REV.	DATE	DESCRIPTION	APPD.	NO.	DESCRIPTION	QTY	MATERIAL	PLATING/COLOR
C/0	2022.07.15	统一标准 更新模版	黄美程	③	Solder Tab	2	Brass	Tin-plated
B/0	2019.08.07	NEW RELEASE	王炜彬	②	Contacts	3	Phosphor Bronze	Tin-plated
				①	Insulator	1	LCP (UL94V-0)	Nature

Tolerance	
X.X	± 0.30
X.XX	± 0.20
X.XXX	± 0.10
Angle	$\pm 3.0^{\circ}$
UNIT:	mm

CNJST 捷仕泰企业

Model No.: A1503AWR-03-F2MA-R

Model Name: 1.50mm PITCH 90° WAFER-SMT TYPE

SCALE: FULL

REVISION: C/0

Drawn: 黄美程 2022.07.15
Checked: 吴丹平
Approved: 林旭芝
DWG NO. CNJST/GCCP-0528