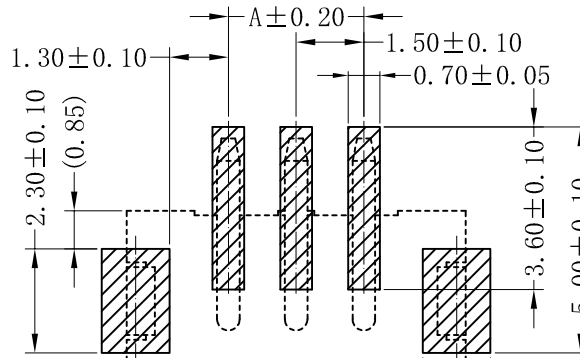
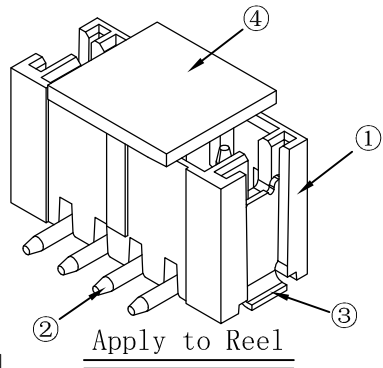


RoHS Compliant



Connector outline

SUGGESTED PCB LAYOUT
(COMPONENT SIDE)

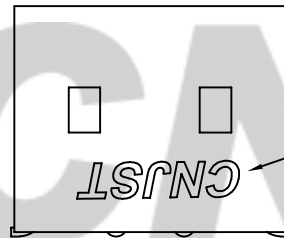
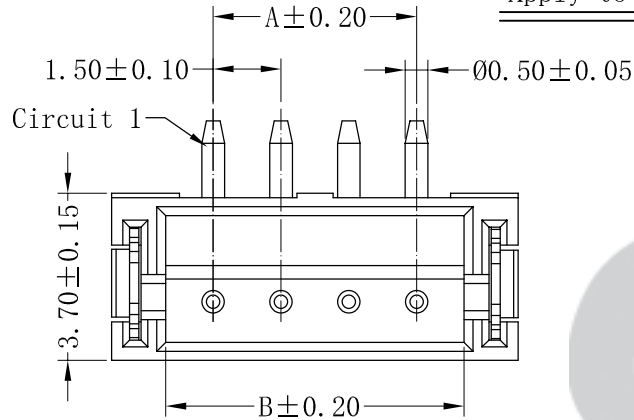
SPECIFICATION

- Contact resistance: $\leq 20m\Omega$
- Insulation resistance: $\geq 500M\Omega$
- Rated voltage: 125 V AC DC
- Rated current: 1.0 A AC DC
- Withstand Voltage: 500V AC/minute
- Temperature Range: $-25^{\circ}C \sim +85^{\circ}C$

ORDER INFORMATION:

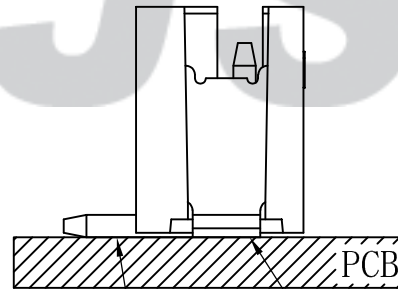
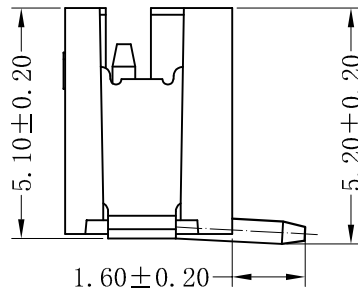
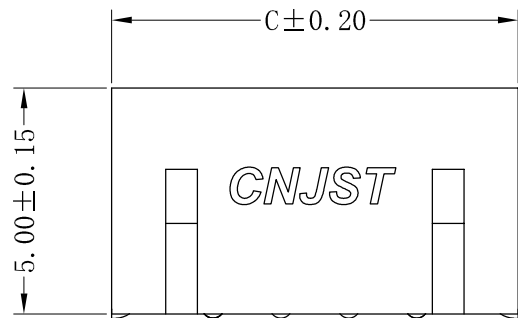
A1501AWV--F2MA-R-X**

PART No. _____ SPECIAL CODE:
 No. OF CIRCUITS: _____ X=CAP
 02~16 _____ PACKAGING:
 F2M=LCP (Nature) _____ R=REEL
 _____ PLATING:
 _____ A=Tin-plated



注：3P无此商标

2PIN



产品平贴后PIN针、固定PIN
与焊接面间隙不大于0.1mm

Circuits	Dimensions (mm)		
	A	B	C
02	1.50	3.60	6.00
03	3.00	5.10	7.50
04	4.50	6.60	9.00
05	6.00	8.10	10.50
06	7.50	9.60	12.00
07	9.00	11.10	13.50
08	10.50	12.60	15.00
09	12.00	14.10	16.50
10	13.50	15.60	18.00
11	15.00	17.10	19.50
12	16.50	18.60	21.00
13	18.00	20.10	22.50
14	19.50	21.60	24.00
15	21.00	23.10	25.50
16	22.50	24.60	27.00

专利产品

REV.	DATE	DESCRIPTION	APPD.	NO.	DESCRIPTION	QTY	MATERIAL	PLATING/COLOR
				④	Cap	1	LCP (UL94V-0)	Nature
				③	Solder Tab	2	Phosphor Bronze	Tin-plated
C/0	2022.06.24	统一标准 更新模版	黄美程	②	Contacts	2~16	Brass	Tin-plated
B/0	2020.01.07	NEW RELEASE	黄金林	①	Insulator	1	LCP (UL94V-0)	Nature

Tolerance	X.X ±0.30
	X.XX ±0.20
	X.XXX ±0.10
Angle	±3.0°
UNIT:	mm

CNJST 捷仕泰企业

Model No.: A1501AWV-**-F2MA-R-X

Model Name: 1.50mm pitch 180° WAFER-SMT TYPE

SCALE: FULL

REVISION: C/0

Drawn:	黄美程 2022.06.24
Checked:	吴丹平
Approved:	林旭芝
DWG NO.	CNJST/GCCP-0044