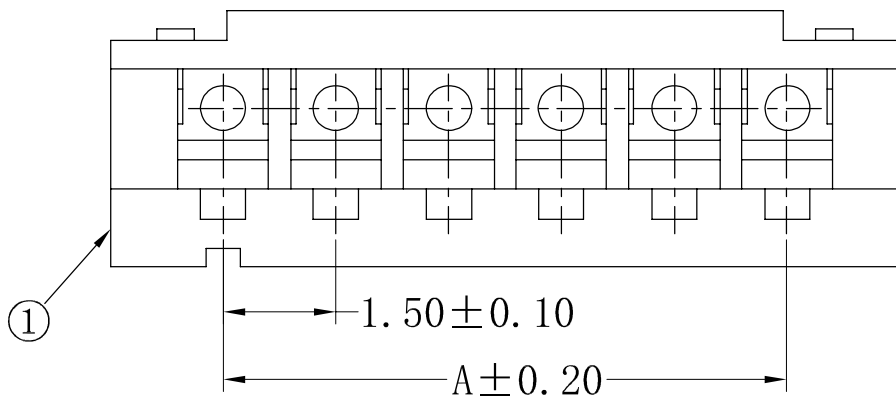


RoHS Compliant

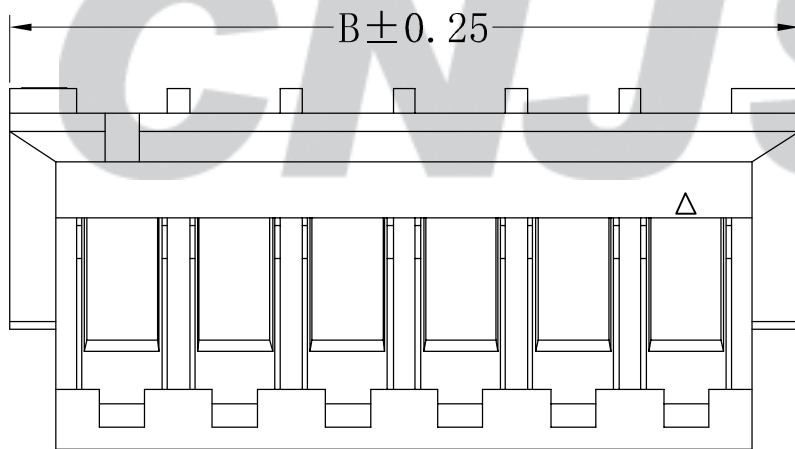
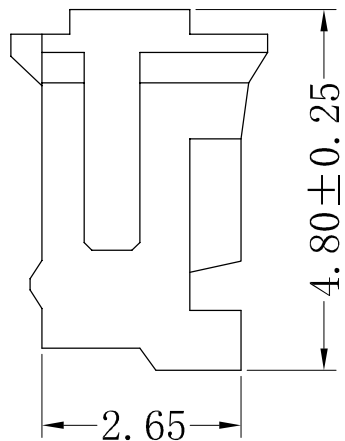


SPECIFICATION

- 1 Contact resistance:  $\leq 20m\Omega$
- 2 Insulation resistance:  $\geq 500M\Omega$
- 3 Rated voltage: 125 V AC DC
- 4 Rated current: 1.0 A AC DC
- 5 Withstand Voltage: 500V AC/minute
- 6 Temperature Range:  $-25^{\circ}C \sim +85^{\circ}C$

ORDER INFORMATION:

**A1501Y-\*\*-A6W-P**  
 PART No. \_\_\_\_\_  
 No. OF CIRCUITS: \_\_\_\_\_  
 02~20  
 PACKAGING: P=PE  
 PLASTIC MATERIAL: A6W=PA66 (WHITE)



Circuits	Dimensions (mm)	
	A	B
02	1.50	4.50
03	3.00	6.00
04	4.50	7.50
05	6.00	9.00
06	7.50	10.50
07	9.00	12.00
08	10.50	13.50
09	12.00	15.00
10	13.50	16.50
11	15.00	18.00
12	16.50	19.50

专利产品

Tolerance X.X ±0.30 X.XX ±0.20 X.XXX ±0.10 Angle ±3.0°  UNIT: mm	<b>CNJST 捷仕泰企业</b>		Drawn: 黄美程 2022.06.24
	Model No.: A1501Y-**-A6W-P		Checked: 吴丹平
	Model Name: 1.50mm pitch Housing		Approved: 林旭芝
		SCALE: FULL	REVISION: C/0
			DWG NO. CNJST/GCCP-0045

REV.	DATE	DESCRIPTION	APPD.	NO.	DESCRIPTION	QTY	MATERIAL	PLATING/COLOR
C/0	2022.06.24	统一标准 更新模版	黄美程					
B/0	2019.07.26	NEW RELEASE	黄金林	①	Insulator	1	PA66 (UL94V-0)	White