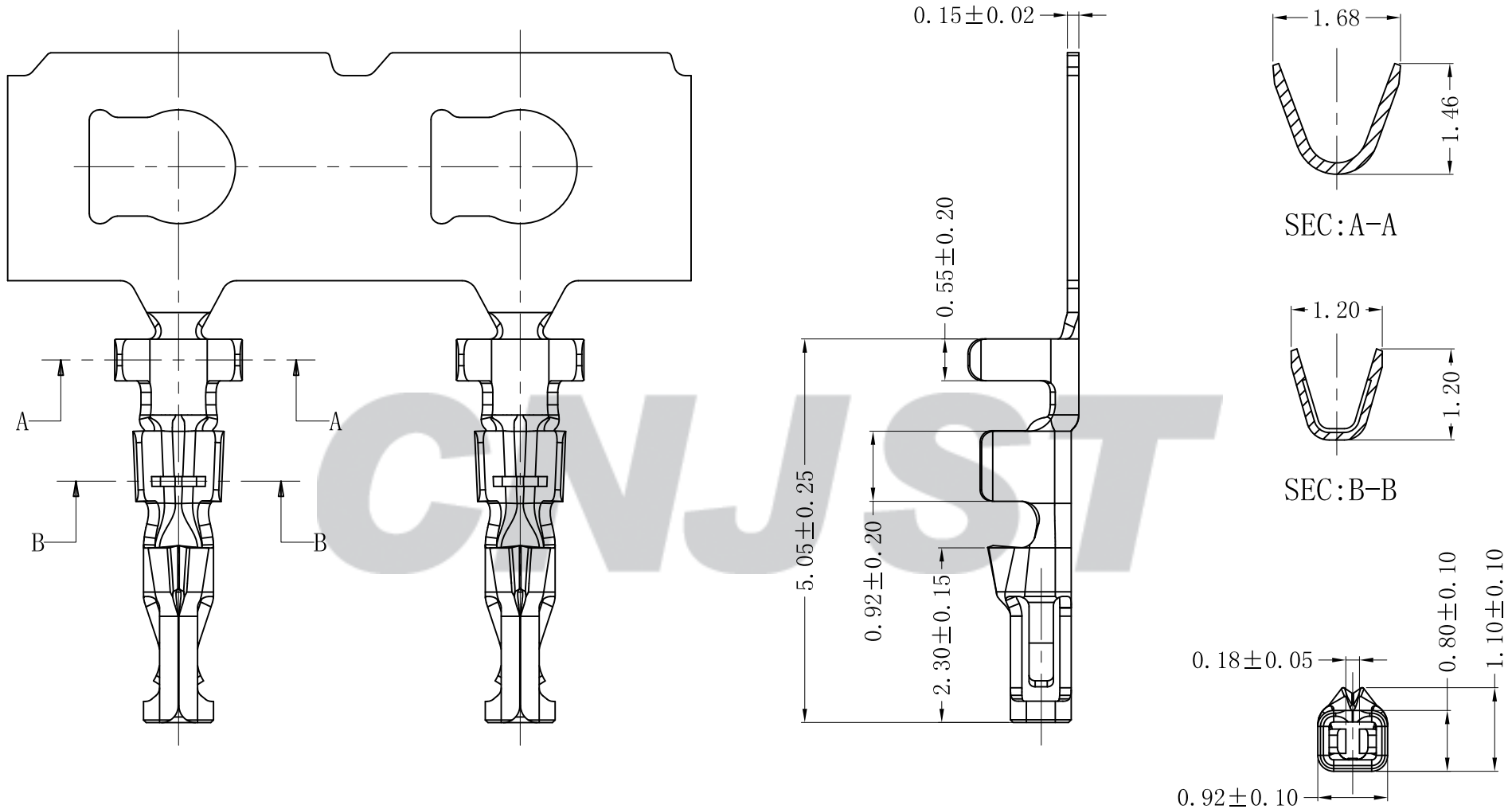


RoHS Compliant



专利产品

										Tolerance		CNJST 捷仕泰企业		Drawn: 王丽君 2022.07.14	
										X.X ±0.30				Model No.: A1259T-PA-Z	
										X.XX ±0.20		Model Name: 1.25mm PITCH CRIMP TERMINAL		Approved: 林旭芝	
										X.XXX ±0.10		UNIT: mm		SCALE: FULL REVISION: C/0	
										Angle ±3.0°				DWG NO. CNJST/GCDZ-0068	
C/0	2022.07.14	更新模板	王丽君												
B/0	2021.06.18	NEW RELEASE	王程伟	AWG #28~#32	0.80mm (Max)	12,000PCS	Phosphor Bronze	Tin-plated							
REV.	DATE	DESCRIPTION	APPD.	Wire Range	Insulation O.D.	QTY/Reel	Material	Plating							