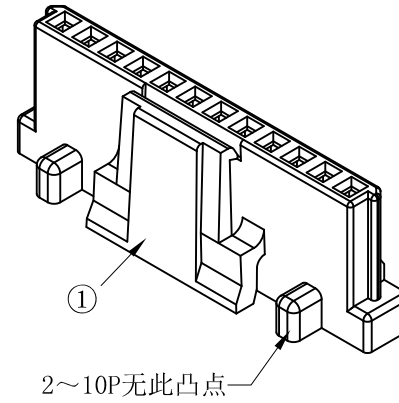
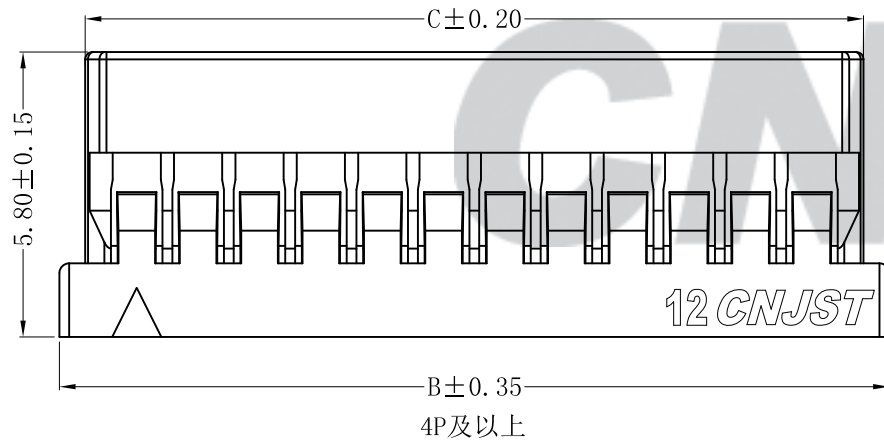
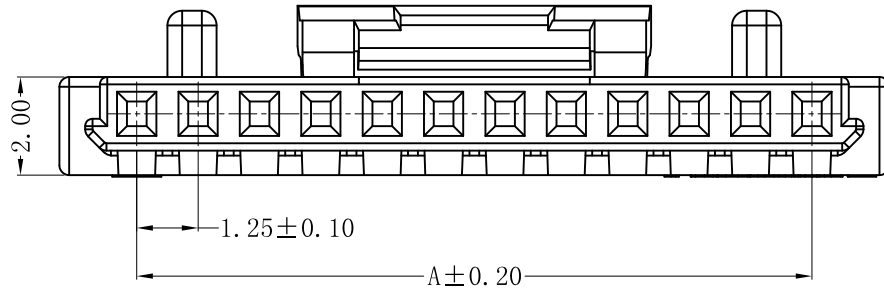


RoHS Compliant

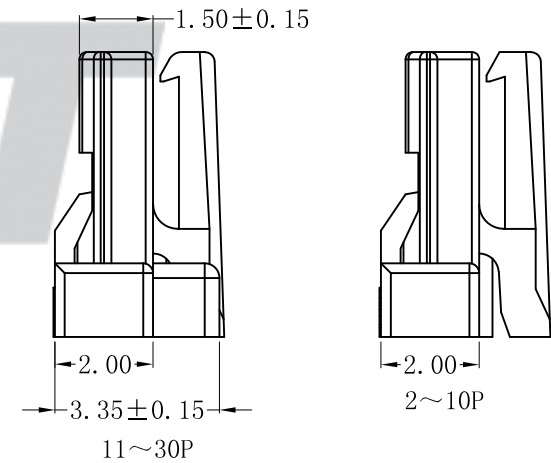
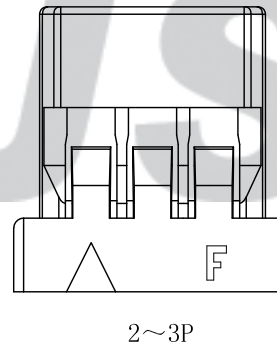


SPECIFICATION

- 1 Contact resistance: $\leq 20m\Omega$
- 2 Insulation resistance: $\geq 500M\Omega$
- 3 Rated voltage: 200 V AC DC
- 4 Rated current: 1.0 A AC DC
- 5 Withstand Voltage: 500V AC/minute
- 6 Temperature Range: $-25^{\circ}C \sim +85^{\circ}C$

ORDER INFORMATION:

A1259Y-**-A6W-P	
PART No.:	PACKAGING: P=PE
No. OF CIRCUITS:	
02~30	
PLASTIC MATERIAL:	
A6W=PA66 (WHITE)	



Circuits	Dimensions			Circuits	Dimensions		
	A	B	C		A	B	C
02	1.25	4.40	3.35	11	12.50	15.65	14.60
03	2.50	5.65	4.60	12	13.75	16.90	15.85
04	3.75	6.90	5.85	13	15.00	18.15	17.10
05	5.00	8.15	7.10	14	16.25	19.40	18.35
06	6.25	9.40	8.35	15	17.50	20.65	19.60
07	7.50	10.65	9.60	20	23.75	26.90	25.85
08	8.75	11.90	10.85	25	30.00	33.15	32.10
09	10.00	13.15	12.10	30	36.25	39.40	38.35
10	11.25	14.40	13.35				

专利产品

Tolerance X.X ±0.30 X.XX ±0.20 X.XXX ±0.10 Angle ±3.0°	CNJST 捷仕泰企业		Drawn: 王丽君 2022.07.14
	Model No.: A1259Y-**-A6W-P		Checked: 吴丹平
	Model Name: 1.25mm PITCH HOUSING		Approved: 林旭芝
	UNIT: mm	SCALE: FULL	REVISION: C/0
			DWG NO. CNJST/GCCP-0286

C/O	2022.07.14	统一标准 更新模版	王丽君						
B/O	2021.06.16	NEW RELEASE	王程伟	①	Insulator	1	PA66 (UL94V-0)	White	
REV.	DATE	DESCRIPTION	APPD.	NO.	DESCRIPTION	QTY	MATERIAL	PLATING/COLOR	