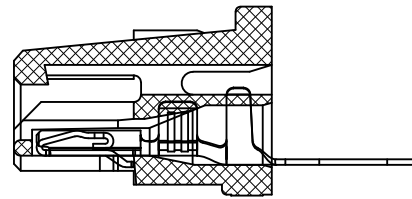
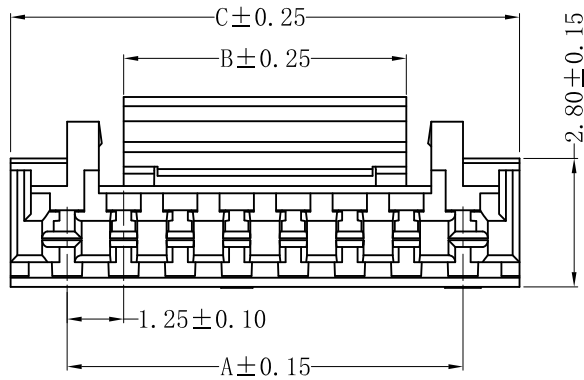


RoHS Compliant

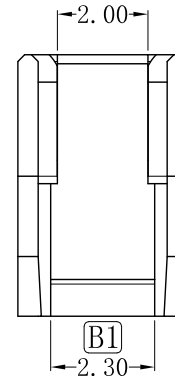
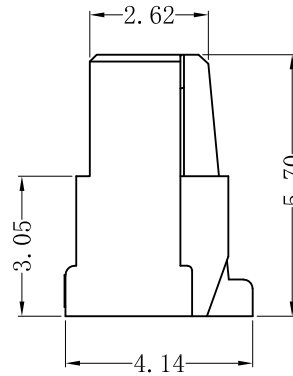
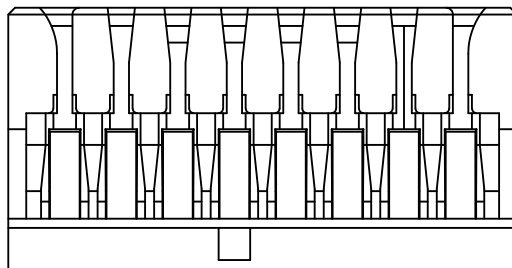
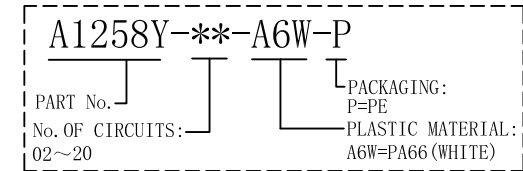


插线状态

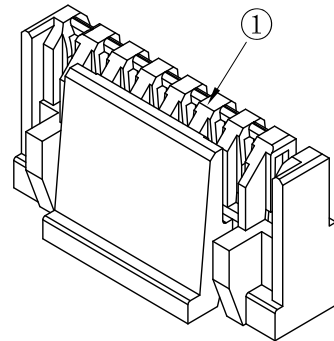
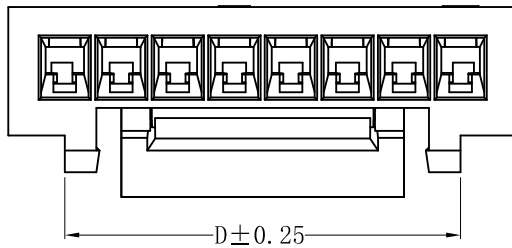
SPECIFICATION

- 1 Contact resistance: $\leq 30m\Omega$
- 2 Insulation resistance: $\geq 100M\Omega$
- 3 Rated voltage: 150 V AC DC
- 4 Rated current: 1 A AC DC
- 5 Withstand Voltage: 500V AC/minute
- 6 Temperature Range: $-25^{\circ}C \sim +85^{\circ}C$

ORDER INFORMATION:



2P



Circuits	Dimensions (mm)			
	A	B	C	D
02	1.25	2.30	3.75	
03	2.50	3.20	5.00	
04	3.75	4.25	6.25	
05	5.00	4.25	7.50	
06	6.25	6.25	8.75	
07	7.50	6.25	10.00	
08	8.75	6.25	11.25	8.75
09	10.00	6.25	12.50	10.00
10	11.25	8.20	13.75	11.25
11	12.50	8.20	15.00	12.50
12	13.75	8.20	16.25	13.75
13	15.00	8.20	17.50	15.00
14	16.25	8.20	18.75	16.25
15	17.50	8.20	20.00	17.50
20P	23.75	8.20	26.25	21.25

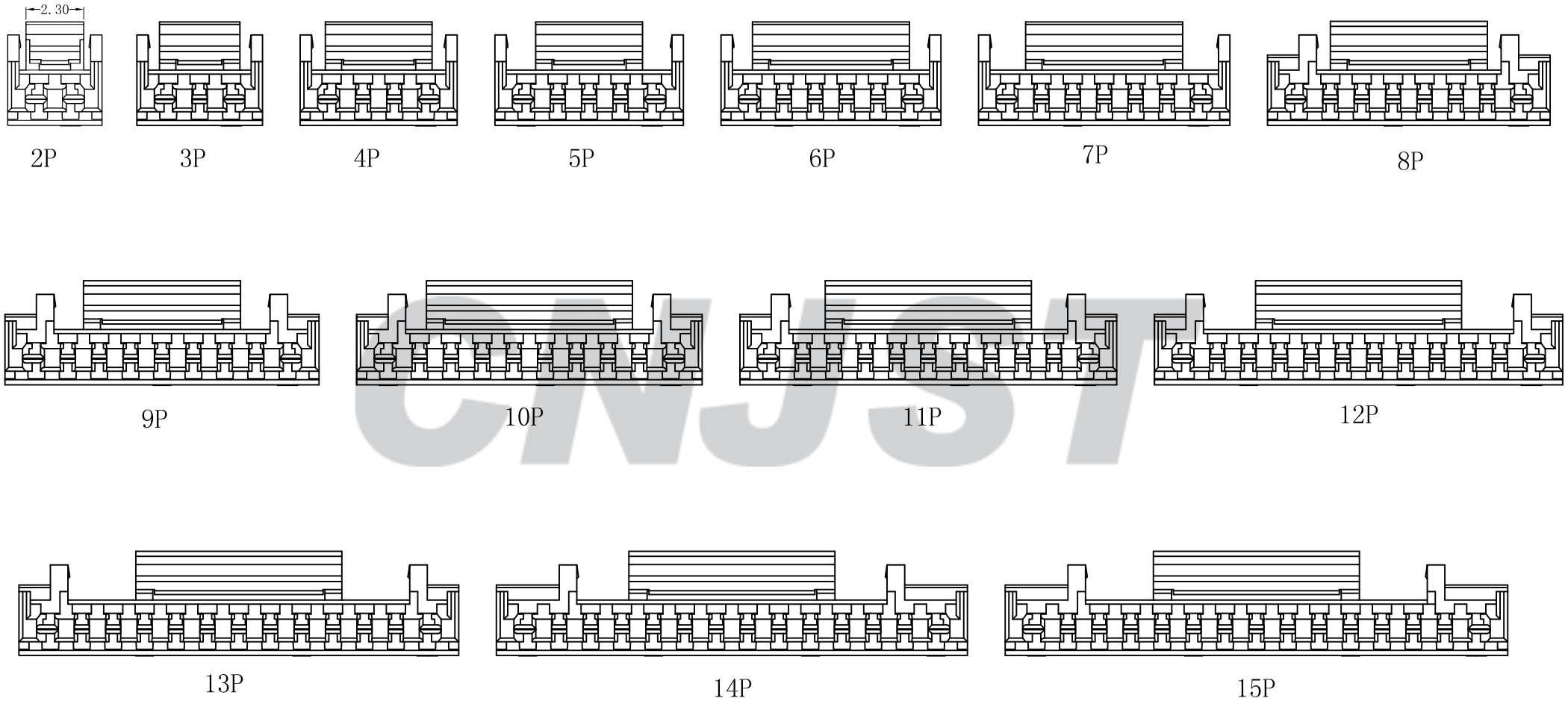
专利产品

Tolerance X.X ±0.30 X.XX ±0.20 X.XXX ±0.10 Angle ±3.0°	CNJST 捷仕泰企业		Drawn: 王丽君 2022.09.19
	Model No.: A1258Y-**-A6W-P		Checked: 吴丹平
UNIT: mm	Model Name: 1.25mm pitch Housing		Approved: 林旭芝
	SCALE: FULL	REVISION: C/0	DWG NO. CNJST/GCCP-0273

REV.	DATE	DESCRIPTION	APPD.	NO.	DESCRIPTION	QTY	MATERIAL	PLATING/COLOR
C/0	2022.09.19	统一标准 更新模板	王丽君					
B/1	2021.08.07	2P卡钩优化, 详见JST2021013	王程伟					
B/0	2020.01.08	NEW RELEASE	王程伟	①	Insulator	1	PA66 (UL94V-0)	White

RoHS Compliant

PIN位结构示意图:



专利产品

Tolerance X.X ±0.30 X.XX ±0.20 X.XXX ±0.10 Angle ±3.0°	CNJST 捷仕泰企业		Drawn: 王丽君 2022.09.19
	Model No.: A1258Y-**-A6W-P		Checked: 吴丹平
	Model Name: 1.25mm pitch Housing		Approved: 林旭芝
UNIT: mm		SCALE: FULL	REVISION: C/0
			DWG NO. CNJST/GCCP-0273

REV.	DATE	DESCRIPTION	APPD.	NO.	DESCRIPTION	QTY	MATERIAL	PLATING/COLOR
C/0	2022.09.19	统一标准 更新模板	王丽君					
B/1	2021.08.07	2P卡钩优化, 详见JST2021013	王程伟					
B/0	2020.01.08	NEW RELEASE	王程伟	①	Insulator	1	PA66 (UL94V-0)	White