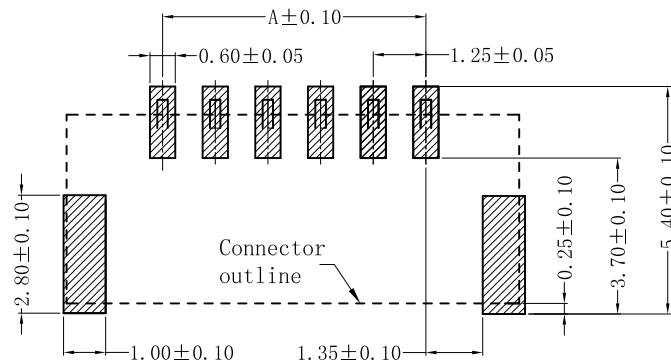
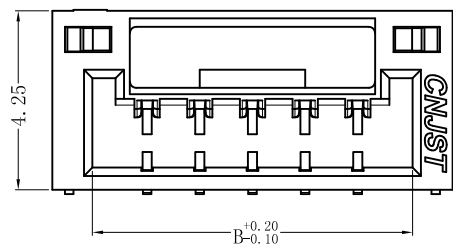
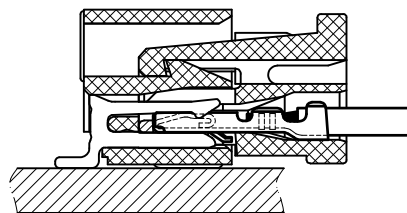
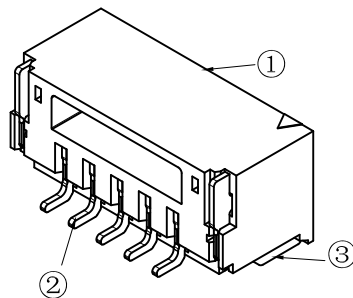
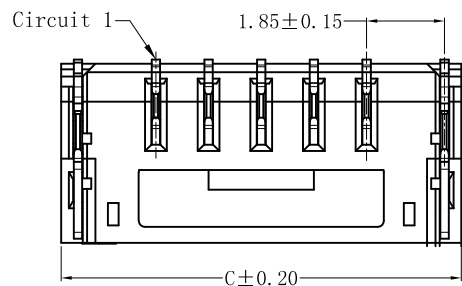
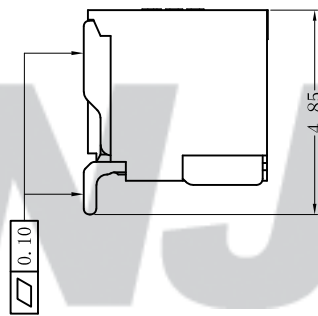
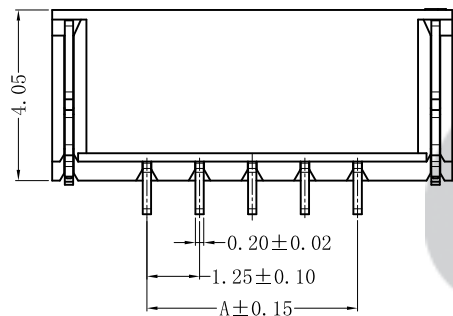


RoHS Compliant



SUGGESTED PCB LAYOUT  
(COMPONENT SIDE)



嵌合状态

SPECIFICATION

- 1 Contact resistance:  $\leq 30m\Omega$
- 2 Insulation resistance:  $\geq 100M\Omega$
- 3 Rated voltage: 150 V AC DC
- 4 Rated current: 1.0 A AC DC
- 5 Withstand Voltage: 500V AC/minute
- 6 Temperature Range:  $-25^{\circ}C \sim +85^{\circ}C$

ORDER INFORMATION:

**A1258AWR-\*\*-F2MA-R**

PART No.		PACKAGING: R=REEL
No. OF CIRCUITS:		PLATING: A=Tin-Plated
02~20		
PLASTIC MATERIAL:		
F2M=LCP (Nature)		

Circuit	Dimensions (mm)		
	A	B	C
02	1.25	3.85	5.75
03	2.50	5.10	7.00
04	3.75	6.35	8.25
05	5.00	7.60	9.50
06	6.25	8.85	10.75
07	7.50	10.10	12.00
08	8.75	11.35	13.25
09	10.00	12.60	14.50
10	11.25	13.85	15.75
11	12.50	15.10	17.00
12	13.75	16.35	18.25
13	15.00	17.60	19.50
14	16.25	18.85	20.75
15	17.50	20.10	22.00
16	18.75	21.35	23.25
20	23.75	26.35	28.25

专利产品

Tolerance
X.X ±0.30
X.XX ±0.20
X.XXX ±0.10
Angle ±3.0°

**CNJST 捷仕泰企业**

Model No.: A1258AWR-\*\*-F2MA-R

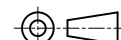
Model Name: 1.25mm pitch 90° WAFER-SMT TYPE

Drawn: 王丽君 2022.09.13

Checked: 吴丹平

Approved: 林旭芝

UNIT: mm



SCALE: FULL

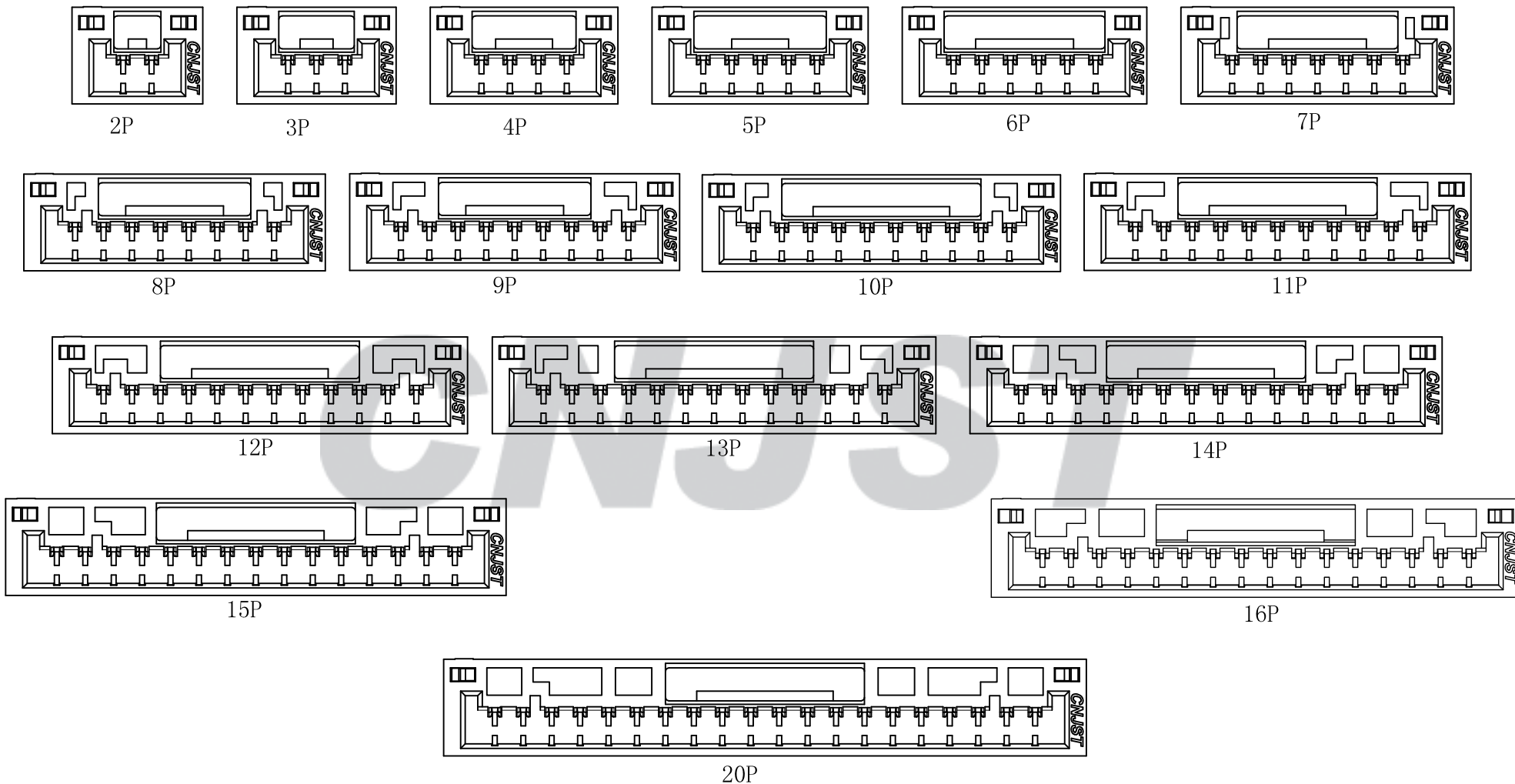
REVISION: C/0

DWG NO. CNJST/GCCP-0271

REV.	DATE	DESCRIPTION	APPD.	NO.	DESCRIPTION	QTY	MATERIAL	PLATING/COLOR
C/0	2022.09.13	统一标准 更新模板	王丽君	③	Solder Tabs	2	Brass	Tin-plated
B/0	2021.01.04	NEW RELEASE	王程伟	②	Contacts	2~20	Phosphor Bronze	Tin-plated
				①	Insulator	1	LCP (UL94V-0)	Nature

RoHS Compliant

PIN位结构示意图:



专利产品

C/0	2022.09.13	统一标准 更新模板	王丽君	③	Solder Tabs	2	Brass	Tin-plated
B/0	2021.01.04	NEW RELEASE	王程伟	②	Contacts	2~20	Phosphor Bronze	Tin-plated
REV.	DATE	DESCRIPTION	APPD.	NO.	DESCRIPTION	QTY	MATERIAL	PLATING/COLOR

Tolerance	X.X ±0.30
	X.XX ±0.20
	X.XXX ±0.10
Angle	±3.0°
UNIT:	mm

<b>CNJST 捷仕泰企业</b>	
Model No.: A1258AWR-**-F2MA-R	
Model Name: 1.25mm pitch 90° WAFER-SMT TYPE	
	SCALE: FULL
REVISION: C/0	

Drawn: 王丽君 2022.09.13
Checked: 吴丹平
Approved: 林旭芝
DWG NO. CNJST/GCCP-0271