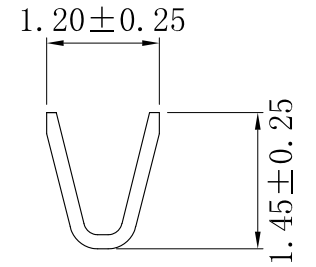
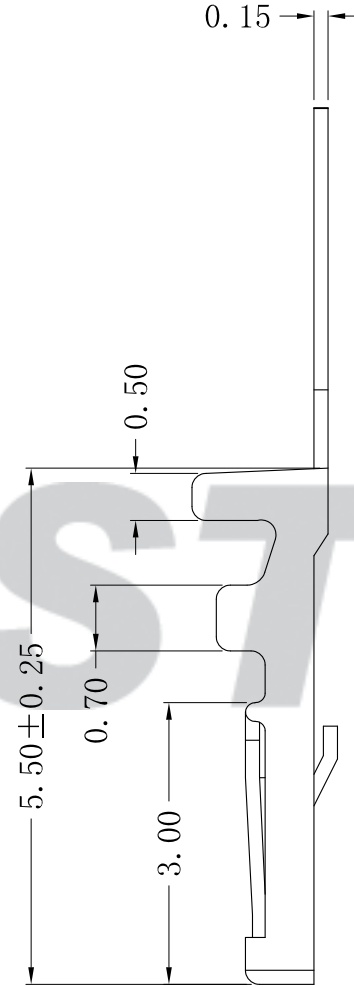
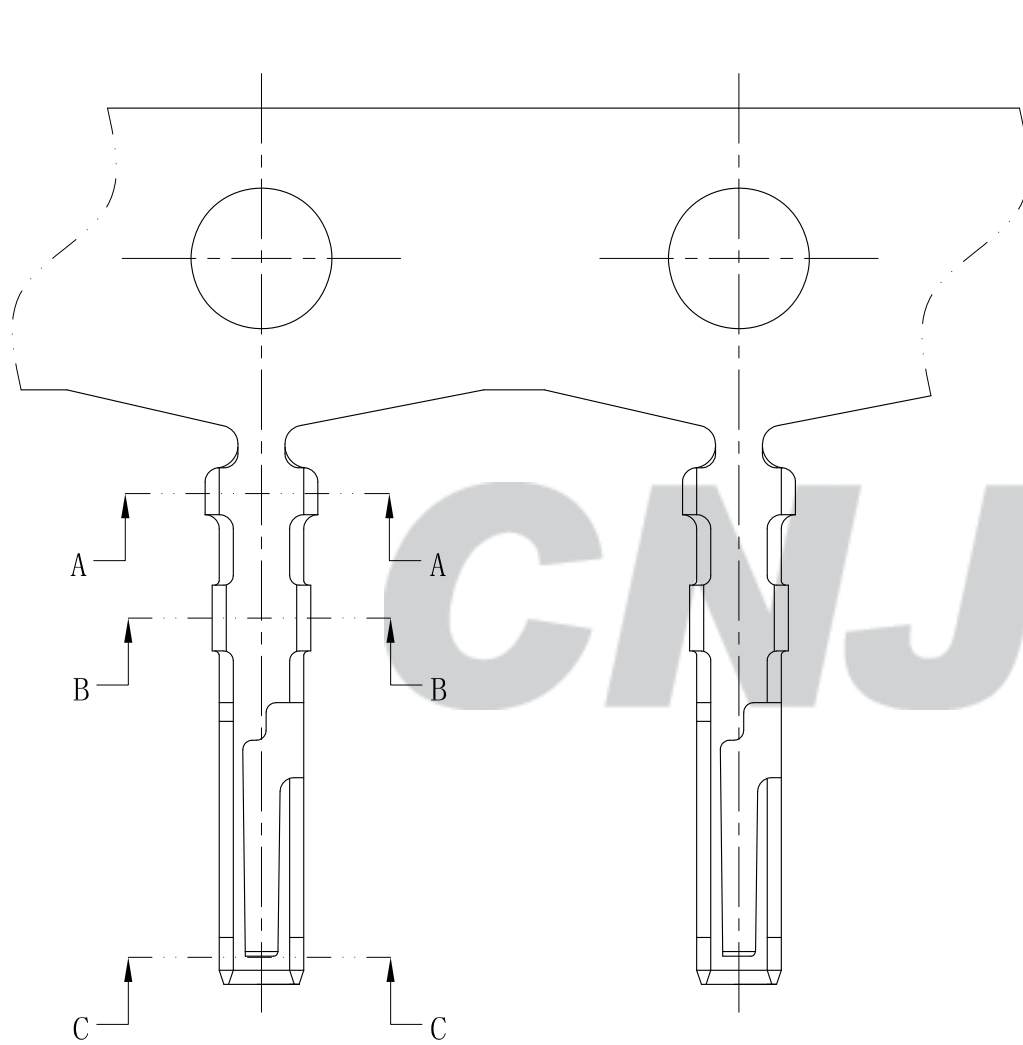
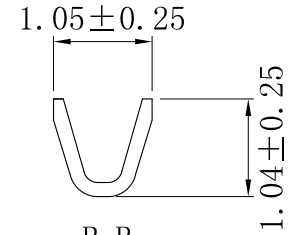


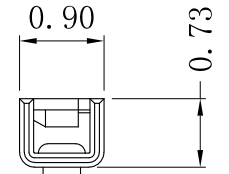
RoHS Compliant



A-A



B-B



C-C

Tolerance X.X ±0.30 X.XX ±0.20 X.XXX ±0.10 Angle ±3.0°	CNJST 捷仕泰企业		Drawn: 王丽君 2022. 12. 21
	Model No. : A1253T-PA-Z		Checked: 吴丹平
	Model Name: 1.25mm PITCH CRIMP TERMINAL		Approved: 林旭芝
	UNIT: mm		SCALE: FULL REVISION: C/0
			DWG NO. CNJST/GCDZ-0032

C/0	2022. 12. 21	更新模板	王丽君	AWG #28~#32	Phosphor Bronze	Gold-plated		
REV.	DATE	DESCRIPTION	APPD.	Wire Range	Insulation O.D.	QTY/Reel	Material	Plating