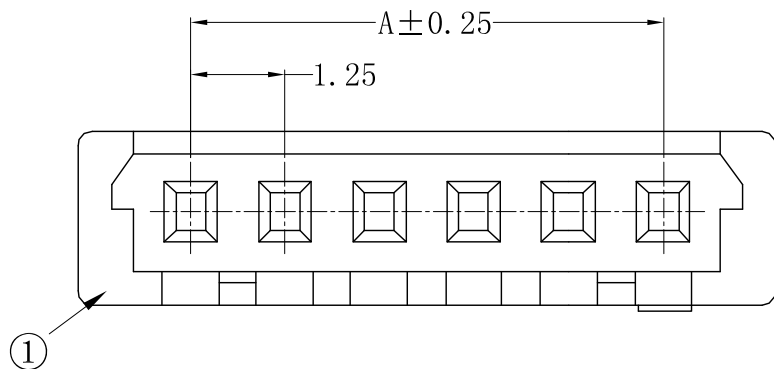


RoHS Compliant



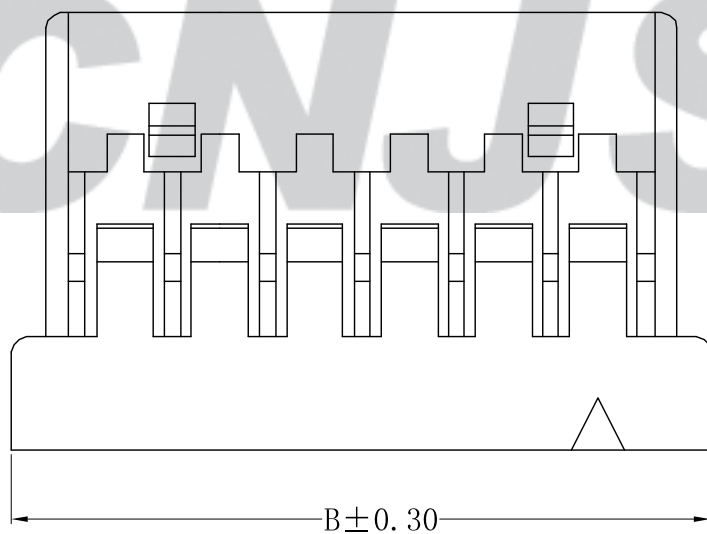
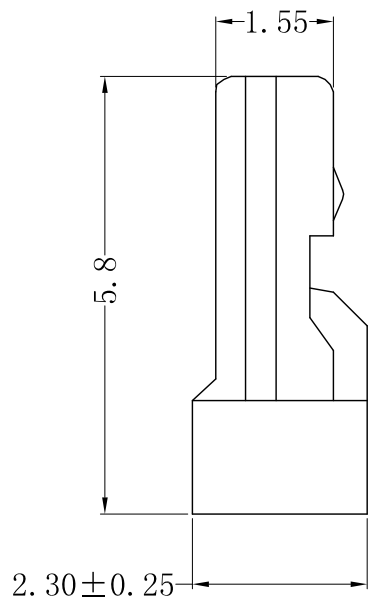
SPECIFICATION

- 1 Contact resistance: $\leq 30m\Omega$
- 2 Insulation resistance: $\geq 500M\Omega$
- 3 Rated voltage: 150 V AC DC
- 4 Rated current: 1.0 A AC DC
- 5 Withstand Voltage: 500V AC/minute
- 6 Temperature Range: $-25^{\circ}C \sim +85^{\circ}C$

ORDER INFORMATION:

A1252Y--A9M-P**

PART No.	No. OF CIRCUITS: 02~30	PACKAGING: P=PE PLASTIC MATERIAL: A9M=PA66 (Nature)
----------	---------------------------	--



Circuits	Dimensions (mm)	
	A	B
02	1.25	4.60
03	2.50	5.85
04	3.75	7.10
05	5.00	8.35
06	6.25	9.60
07	7.50	10.85
08	8.75	12.10
09	10.00	13.35
10	11.25	14.60
11	12.50	15.85
12	13.75	17.10
30	36.25	39.60

Tolerance	CNJST 捷仕泰企业	Drawn: 王丽君 2022. 11. 30
X.X ±0.30	Model No.: A1252Y-**-A9M-P	Checked: 吴丹平
X.XX ±0.20	Model Name: 1.25mm PITCH HOUSING	Approved: 林旭芝
X.XXX ±0.10	UNIT: mm	DWG NO. CNJST/GCCP-0031
Angle ±3.0°	SCALE: FULL REVISION: C/0	

REV.	DATE	DESCRIPTION	APPD.	NO.	DESCRIPTION	QTY	MATERIAL	PLATING/COLOR
C/0	2022. 11. 30	统一标准 更新模板	王丽君					
B/0	2019. 09. 30	NEW RELEASE	王程伟	①	Insulator	1	PA66 (UL94V-0)	Nature