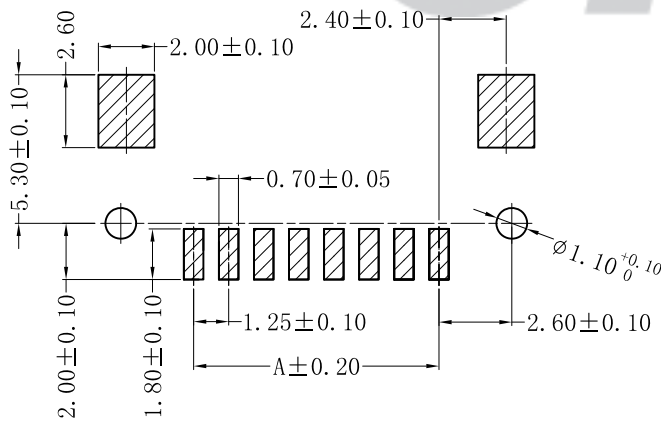
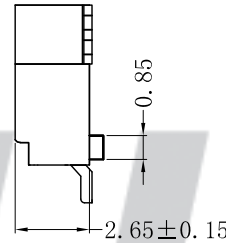
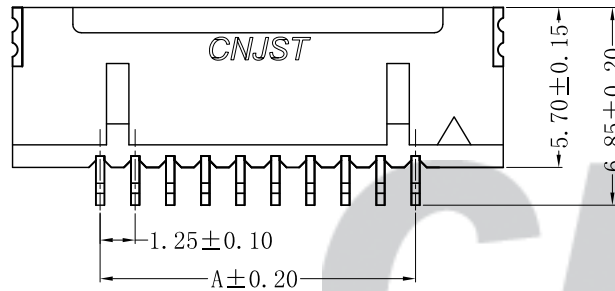
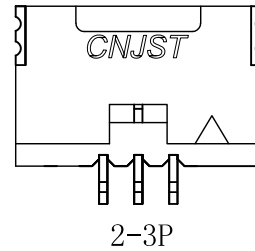
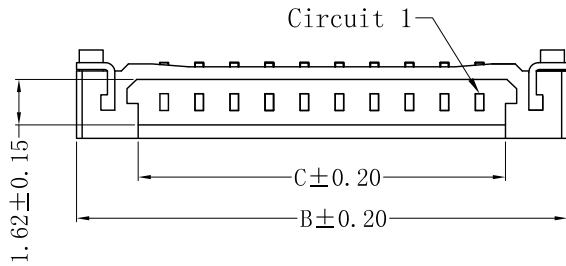
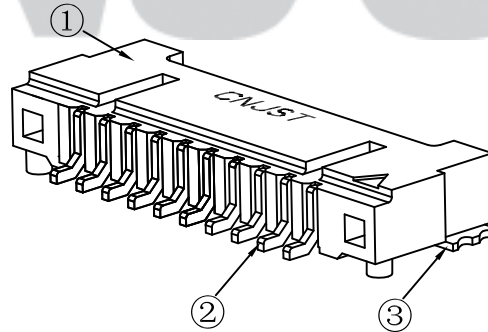


RoHS Compliant



SUGGESTED PCB LAYOUT
(COMPONENT SIDE)



SPECIFICATION

- 1 Contact resistance: $\leq 30m\Omega$
- 2 Insulation resistance: $\geq 500M\Omega$
- 3 Rated voltage: 150 V AC DC
- 4 Rated current: 1.0 A AC DC
- 5 Withstand Voltage: 500V AC/minute
- 6 Temperature Range: $-25^{\circ}C \sim +85^{\circ}C$

ORDER INFORMATION:

A1252AWRB--**MA-R**

PART No. _____
 No. OF CIRCUITS: _____
 02~30
 PLASTIC MATERIAL: _____
 CIM=PA6T (Nature)
 F2M=LCP (Nature)

PACKAGING:
 R=REEL
 PLATING:
 A=Tin-plated
 E=Sn+GOLD

Circuits	Dimensions (mm)			Circuits	Dimensions (mm)		
	A	B	C		A	B	C
02	1.25	7.50	3.10	09	10.00	16.25	11.85
03	2.50	8.75	4.35	10	11.25	17.50	13.10
04	3.75	10.00	5.60	15	17.50	23.75	19.35
05	5.00	11.25	6.85	20	23.75	30.00	25.60
06	6.25	12.50	8.10	25	30.00	36.25	31.85
07	7.50	13.75	9.35	30	36.25	42.50	38.10
08	8.75	15.00	10.60				

专利产品

Tolerance X.X ±0.30 X.XX ±0.20 X.XXX ±0.10 Angle ±3.0° UNIT: mm	CNJST 捷仕泰企业	Drawn: 王丽君 2022. 11. 30
	Model No.: A1252AWRB-**-**MA-R	Checked: 吴丹平
	Model Name: 1.25mm PITCH 90° WAFER-SMT TYPE	Approved: 林旭芝
	SCALE: FULL REVISION: C/0	DWG NO. CNJST/GCCP-0029

REV.	DATE	DESCRIPTION	APPD.	NO.	DESCRIPTION	QTY	MATERIAL	PLATING/COLOR
C/0	2022. 11. 30	统一标准 更新模板	王丽君	③	Solder Tab	2	Phosphor Bronze	Tin-plated
B/0	2018. 01. 27	NEW RELEASE	王程伟	②	Contacts	2~30	Phosphor Bronze	Tin-plated
				①	Insulator	1	PA6T/LCP (UL94V-0)	Nature