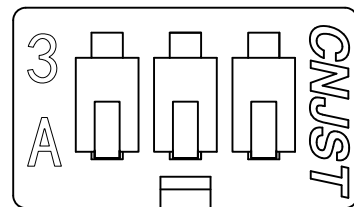
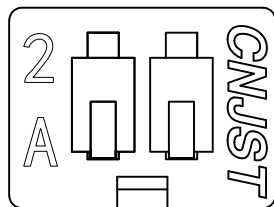
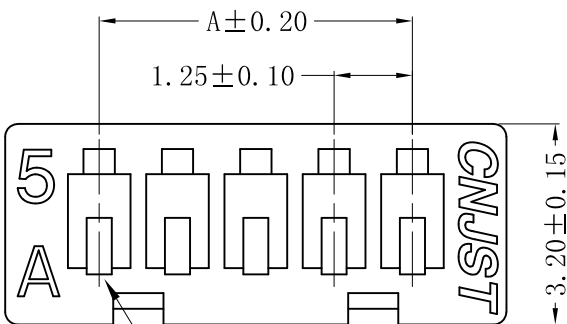


RoHS Compliant



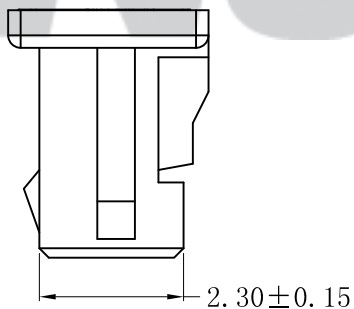
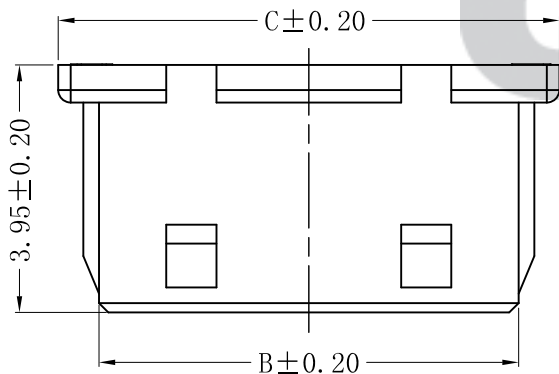
SPECIFICATION

- 1 Contact resistance:  $\leq 20m\Omega$
- 2 Insulation resistance:  $\geq 100M\Omega$
- 3 Rated voltage: 125 V AC DC
- 4 Rated current: 1.0 A AC DC
- 5 Withstand Voltage: 250V AC/minute
- 6 Temperature Range:  $-25^{\circ}C \sim +85^{\circ}C$

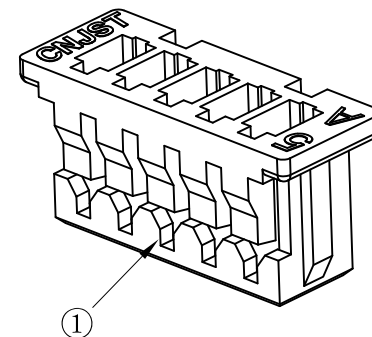
ORDER INFORMATION:

**A1251Y-\*\*-E1W-P**

PART No.      No. OF CIRCUITS: 02~16      PACKAGING: P=PE  
 PLASTIC MATERIAL: E1W=PBT(WHITE)



Circuits	Dimensions		
	A	B	C
02	1.25	2.95	4.25
03	2.50	4.20	5.50
04	3.75	5.45	6.75
05	5.00	6.70	8.00
06	6.25	7.95	9.25
07	7.50	9.20	10.50
08	8.75	10.25	11.75
09	10.00	11.70	13.00
10	11.25	12.95	14.25
11	12.50	14.20	15.50
12	13.75	15.45	16.75
13	15.00	16.70	18.00
14	16.25	17.95	19.25
15	17.50	19.20	20.50
16	18.75	20.25	21.75



专利产品

Tolerance X.X ±0.30 X.XX ±0.20 X.XXX ±0.10 Angle ±3.0°	<b>CNJST 捷仕泰企业</b>		Drawn: 王丽君 2022.07.15
	Model No.: A1251Y-**-E1W-P		Checked: 吴丹平
	Model Name: 1.25mm PITCH HOUSING		Approved: 林旭芝
	UNIT: mm	SCALE: FULL	REVISION: C/0

REV.	DATE	DESCRIPTION	APPD.	NO.	DESCRIPTION	QTY	MATERIAL	PLATING/COLOR
C/0	2022.07.15	统一标准 更新模版	王丽君					
B/0	2021.06.15	NEW RELEASE	黄炎程	①	Insulator	1	PBT(UL94V-0)	White

DWG NO. CNJST/GCCP-0028