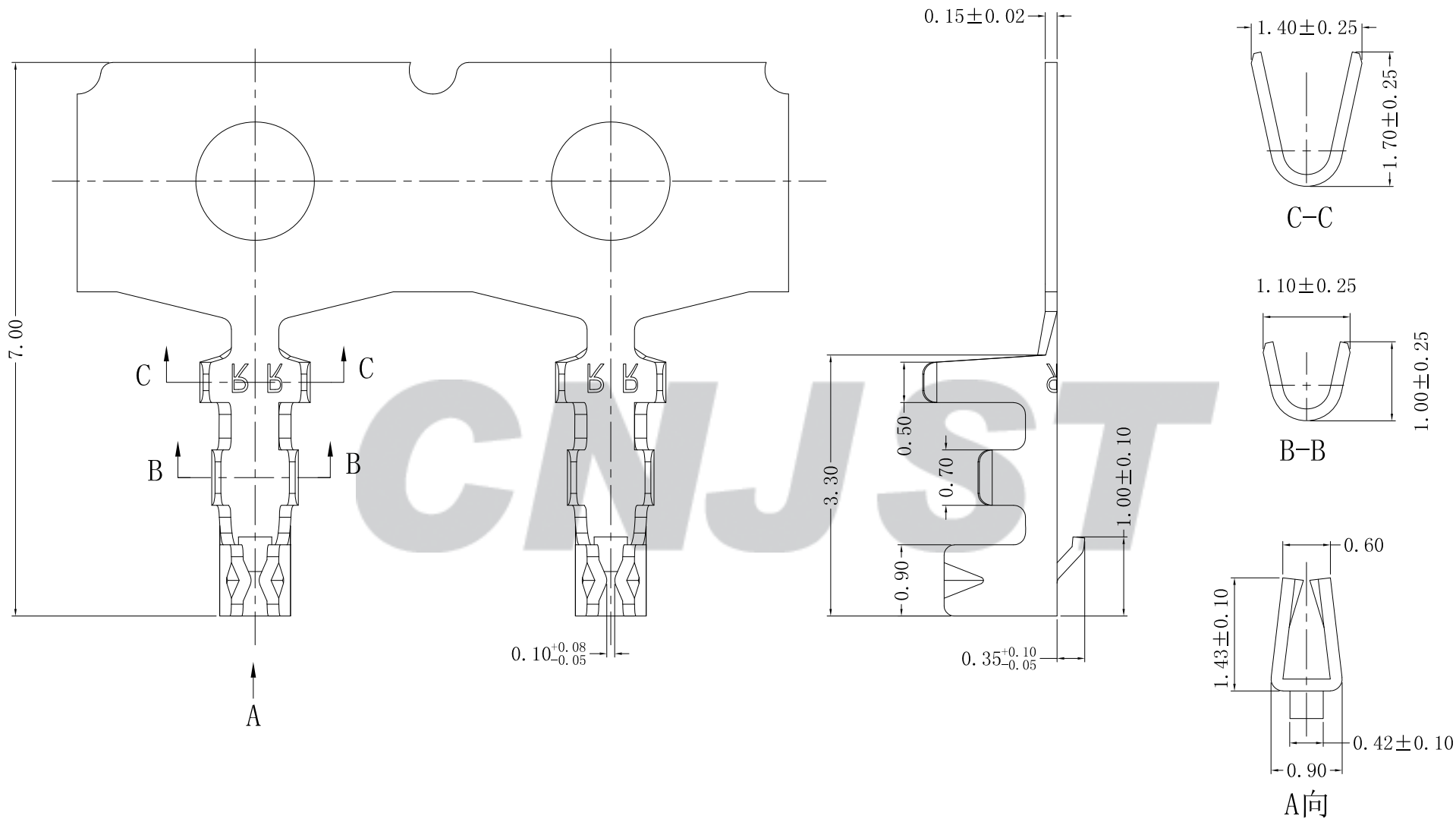


RoHS Compliant



Tolerance	
X.X	±0.30
X.XX	±0.20
X.XXX	±0.10
Angle	±3.0°

CNJST 捷仕泰企业

Drawn: 王丽君 2022.07.15

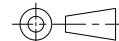
Model No.: A1251T-PA-Z

Checked: 吴丹平

Model Name: 1.25mm PITCH CRIMP TERMINAL

Approved: 林旭芝

UNIT: mm



SCALE: FULL

REVISION: C/0

DWG NO. CNJST/GCDZ-0002

C/0	2022.07.15	更新模板	王丽君					
B/0	2021.06.15	NEW RELEASE	王程伟	AWG #28~#32	1.00mm(max)	12,000Pcs	Phosphor Bronze	Tin-plated
REV.	DATE	DESCRIPTION	APPD.	Wire Range	Insulation O.D.	QTY/Reel	Material	Plating