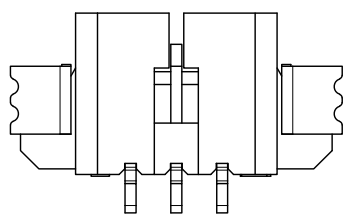
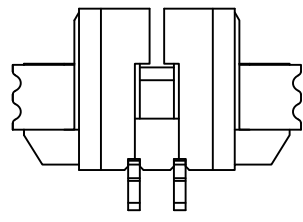


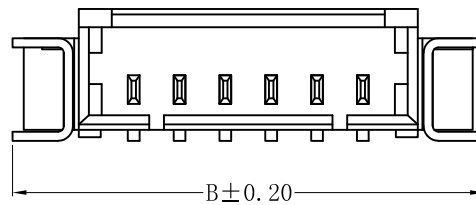
RoHS Compliant



3P



2P



B ± 0.20

SPECIFICATION

- 1 Contact resistance: $\leq 20m\Omega$
- 2 Insulation resistance: $\geq 100M\Omega$
- 3 Rated voltage: 125 V AC DC
- 4 Rated current: 1.0 A AC DC
- 5 Withstand Voltage: 250V AC/minute
- 6 Temperature Range: $-25^{\circ}C \sim +85^{\circ}C$

ORDER INFORMATION:

A1251AWR--F2MA-R**

PART No. _____

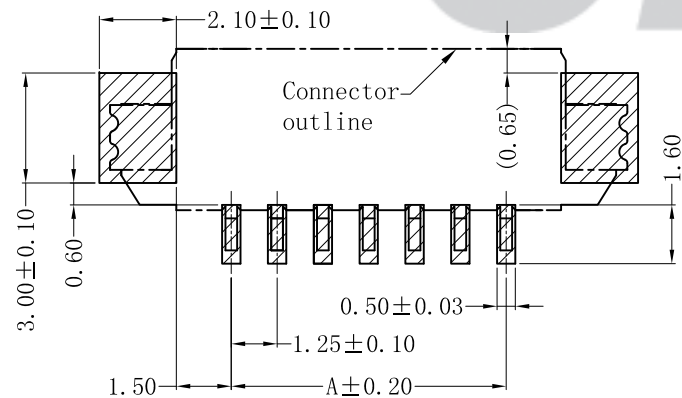
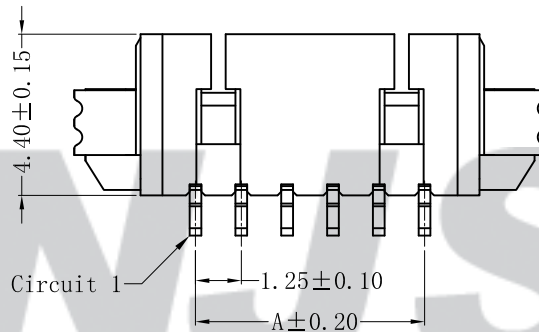
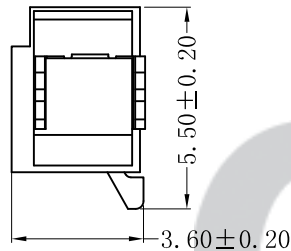
No. OF CIRCUITS: _____

PLASTIC MATERIAL: _____

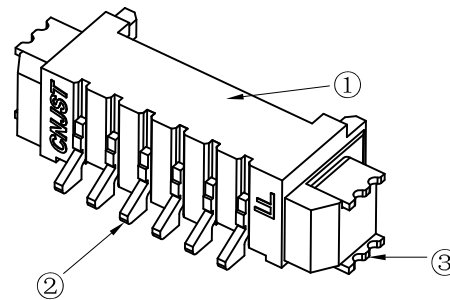
F2M=LCP(Nature)

PACKAGING: R=REEL

PLATING: A=Tin-plated



SUGGESTED PCB LAYOUT
(COMPONENT SIDE)



Circuit	Dimensions (mm)	
	A	B
02	1.25	7.75
03	2.50	9.00
04	3.75	10.25
05	5.00	11.50
06	6.25	12.75
07	7.50	14.00
08	8.75	15.25
09	10.00	16.50
10	11.25	17.75
11	12.50	19.00
12	13.75	20.25
13	15.00	21.50
14	16.25	22.75
15	17.50	24.00
16	18.75	25.25

专利产品

Tolerance
X.X ± 0.30
X.XX ± 0.20
X.XXX ± 0.10
Angle ± 3.0°

CNJST 捷仕泰企业

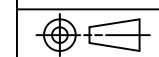
Drawn: 王丽君 2022.07.14

Model No.: A1251AWR-**-F2MA-R

Model Name: 1.25mm PITCH 90° WAFER SMT TYPE

Checked: 吴丹平

Approved: 林旭芝



SCALE: FULL

REVISION: C/0

DWG NO. CNJST/GCCP-0024

REV.	DATE	DESCRIPTION	APPD.	NO.	DESCRIPTION	QTY	MATERIAL	PLATING/COLOR
C/0	2022.07.14	统一标准 更新模版	王丽君	③	Solder Tab	2	Brass	Tin-plated
B/0	2021.06.15	NEW RELEASE	王程伟	②	Contacts	2~16	Phosphor Bronze	Tin-plated
				①	Insulator	1	LCP(UL94V-0)	Nature

UNIT: mm