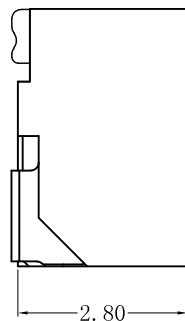
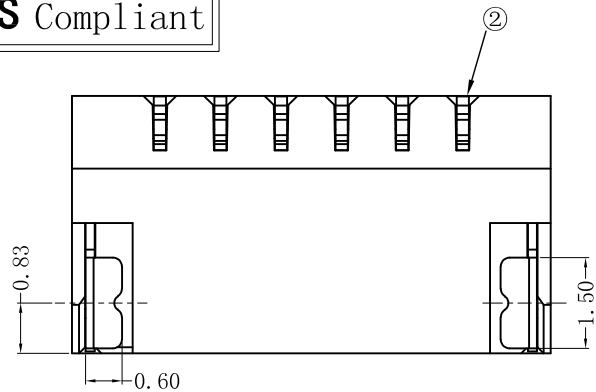


RoHS Compliant

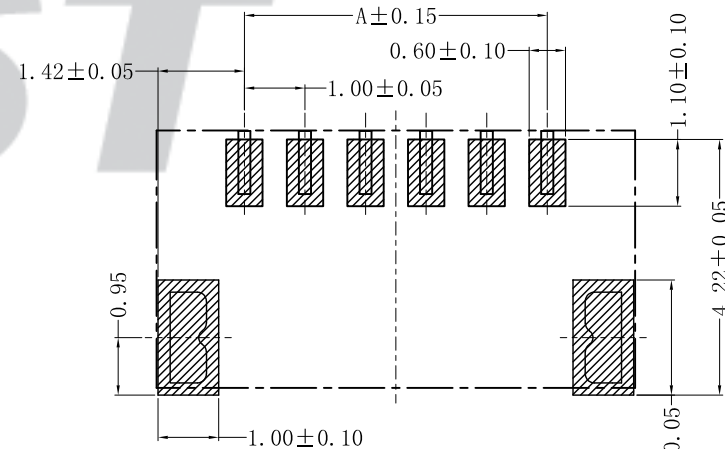
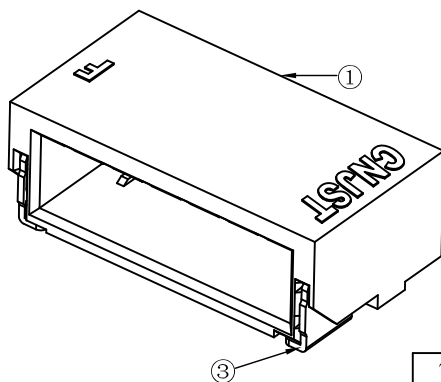
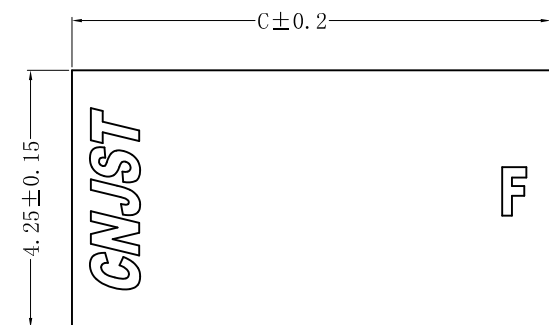
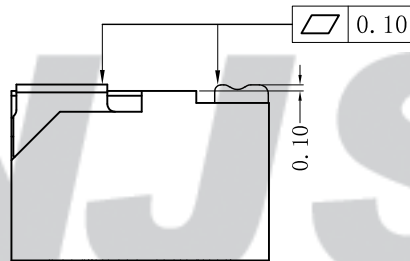
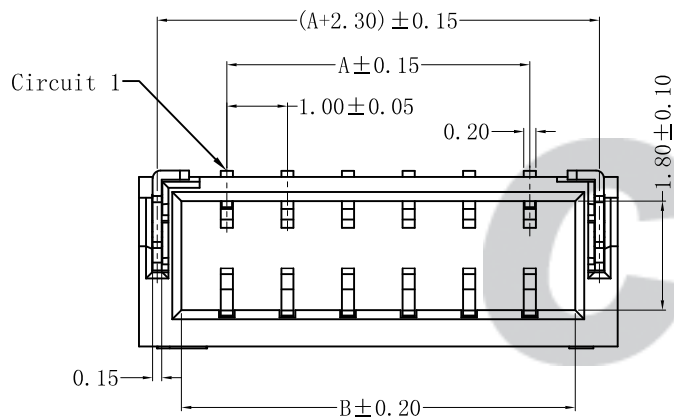
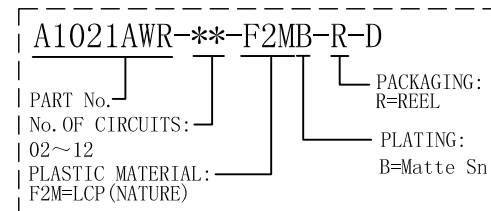


Circuits	Dimensions (mm)		
	A	B	C
02	1.00	2.50	3.90
03	2.00	3.50	4.90
04	3.00	4.50	5.90
05	4.00	5.50	6.90
06	5.00	6.50	7.90
07	6.00	7.50	8.90
08	7.00	8.50	9.90
09	8.00	9.50	10.90
10	9.00	10.50	11.90
11	10.00	11.50	12.90
12	11.00	12.50	13.90

SPECIFICATION

- 1 Contact resistance:  $\leq 20m\Omega$
- 2 Insulation resistance:  $\geq 100M\Omega$
- 3 Rated voltage: 150 V AC DC
- 4 Rated current: 1.0 A AC DC
- 5 Withstand Voltage: 500V AC/minute
- 6 Temperature Range:  $-25^{\circ}C \sim +85^{\circ}C$

ORDER INFORMATION:



SUGGESTED PCB LAYOUT  
(COMPONENT SIDE)

专利产品

REV.	DATE	DESCRIPTION	APPD.	NO.	DESCRIPTION	QTY	MATERIAL	PLATING/COLOR
C/0	2022.12.17	统一标准 更新模板	王丽君	③	Solder Tab	2	Brass	Mattn Sn
				②	Contacts	2~12	Phosphor Bronze	Mattn Sn
				①	Insulator	1	LCP	Nature

Tolerance	
X.X	±0.30
X.XX	±0.20
X.XXX	±0.10
Angle	±3.0°
UNIT:	mm

**CNJST 捷仕泰企业**

Model No. : A1021AWR-\*\*-F2MB-R-D

Model Name: 1.00mm pitch 90° WAFER-SMT TYPE

SCALE: FULL REVISION: C/0

Drawn: 王丽君 2022.12.17
Checked: 吴丹平
Approved: 林旭芝
DWG NO. CNJST/GCCP-0538