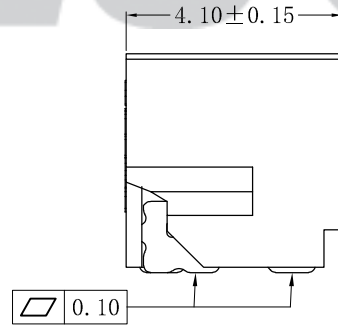
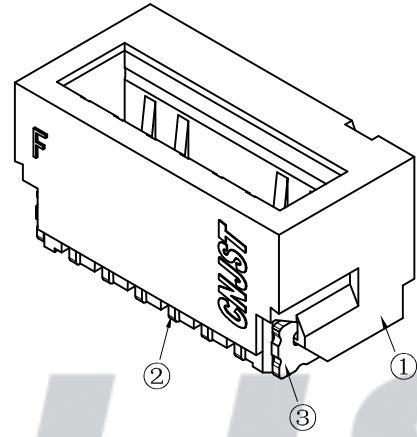
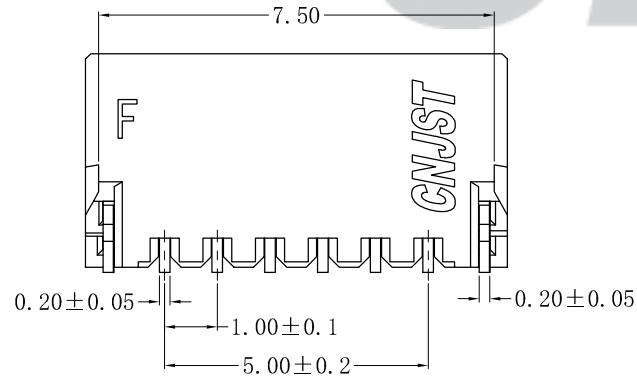
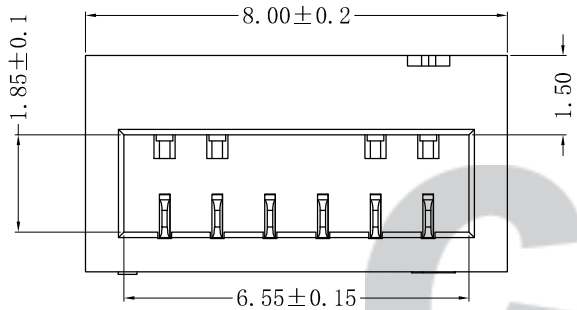
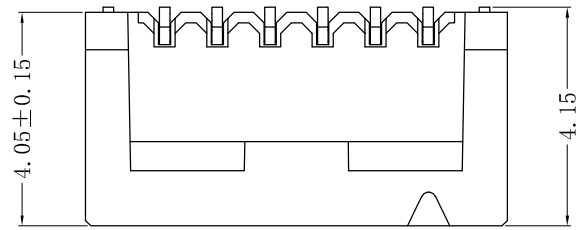


RoHS Compliant



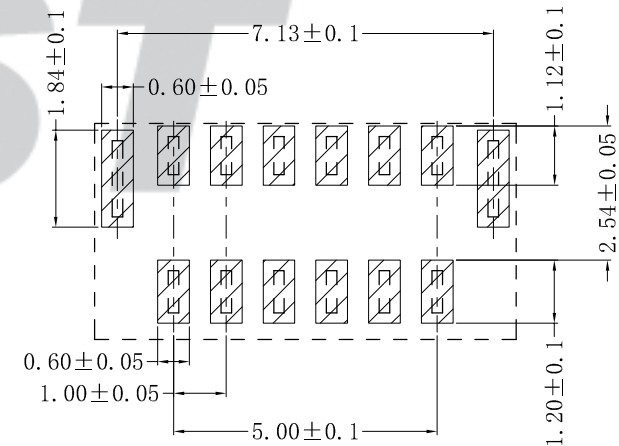
SPECIFICATION

- 1 Contact resistance:  $\leq 20m\Omega$
- 2 Insulation resistance:  $\geq 100M\Omega$
- 3 Rated voltage: 100 V AC DC
- 4 Rated current: 1.0 A AC DC
- 5 Withstand Voltage: 500V AC/minute
- 6 Temperature Range:  $-25^{\circ}C \sim +85^{\circ}C$

ORDER INFORMATION:

**A1020AWV-06-C1MA-R**

PART No.		PACKAGING:
No. OF CIRCUITS:	06	R=REEL
PLASTIC MATERIAL:		PLATING:
C1M=FR52 (Nature)		A=Tin-plated



SUGGESTED PCB LAYOUT  
(COMPONENT SIDE)

专利产品

REV.	DATE	DESCRIPTION	APPD.	NO.	DESCRIPTION	QTY	MATERIAL	PLATING/COLOR
C/O	2022.07.14	统一标准 更新模版	王丽君	③	Solder Tab	2	Phosphor Bronze	Mattn Sn
B/O	2021.06.15	NEW RELEASE	王程伟	②	Contacts	6	Phosphor Bronze	Tin-plated
				①	Insulator	1	FR52 (UL94V-0)	Nature

Tolerance	
X.X	$\pm 0.30$
X.XX	$\pm 0.20$
X.XXX	$\pm 0.10$
Angle	$\pm 3.0^{\circ}$

**CNJST** 捷仕泰企业

Model No.: A1020AWV-06-C1MA-R

Model Name: 1.00mm PITCH 180° WAFER-SMT TYPE

UNIT: mm

SCALE: FULL

REVISION: C/O

Drawn: 王丽君 2022.07.14
Checked: 吴丹平
Approved: 林旭芝
DWG NO. CNJST/GCCP-0496