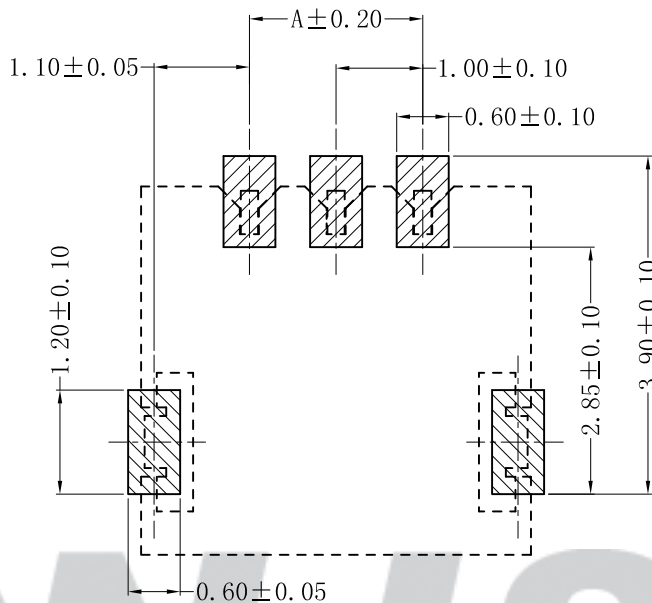
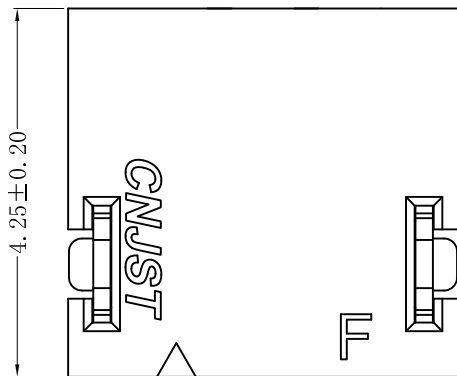


RoHS Compliant



SPECIFICATION

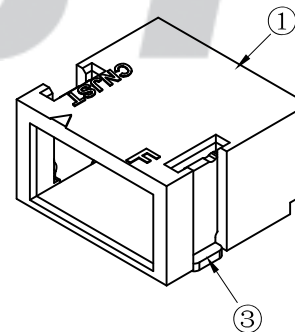
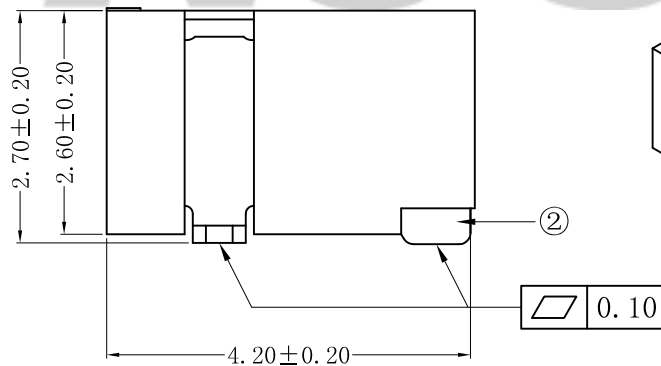
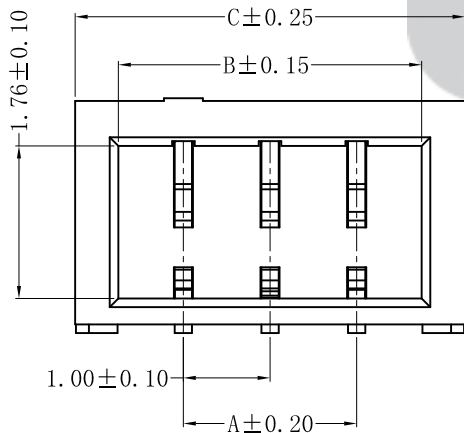
- 1 Contact resistance: $\leq 30m\Omega$
- 2 Insulation resistance: $\geq 100M\Omega$
- 3 Rated voltage: 125 V AC DC
- 4 Rated current: 1 A AC DC
- 5 Withstand Voltage: 500V AC/minute
- 6 Temperature Range: $-25^{\circ}C \sim +85^{\circ}C$

ORDER INFORMATION:

A1019AWR--C1MB-R-H**

PART No.		PACKAGING:
No. OF CIRCUITS:		R=REEL
02~12		PLATING:
PLASTIC MATERIAL:		B=Matte Sn
C1M=FR52 (Nature)		

SUGGESTED PCB LAYOUT
(COMPONENT SIDE)



Circuits	Dimensions		
	A	B	C
02	1.00	2.50	3.50
03	2.00	3.50	4.50
04	3.00	4.50	5.50
05	4.00	5.50	6.50
06	5.00	6.50	7.50
07	6.00	7.50	8.50
08	7.00	8.50	9.50
09	8.00	9.50	10.50
10	9.00	10.50	11.50
11	10.00	11.50	12.50
12	11.00	12.50	13.50

专利产品

Tolerance X.X ±0.30 X.XX ±0.20 X.XXX ±0.10 Angle ±3.0°	CNJST 捷仕泰企业		Drawn: 王丽君 2022.12.19
	Model No.: A1019AWR-**-C1MB-R-H		Checked: 吴丹平
	Model Name: 1.00mm pitch 90° Single Row Wafer SMT TYPE		Approved: 林旭芝
	UNIT: mm	SCALE: FULL	REVISION: C/0

REV.	DATE	DESCRIPTION	APPD.	NO.	DESCRIPTION	QTY	MATERIAL	PLATING/COLOR
C/0	2022.12.19	统一标准 更新模板	王丽君	③	Solder Tab	2	Phosphor Bronze	Mattn Sn
				②	Material	2~12	Phosphor Bronze	Mattn Sn
				①	Insulator	1	FR52 (UL94V-0)	Nature

DWG NO. CNJST/GCCP-0489