

RoHS Compliant

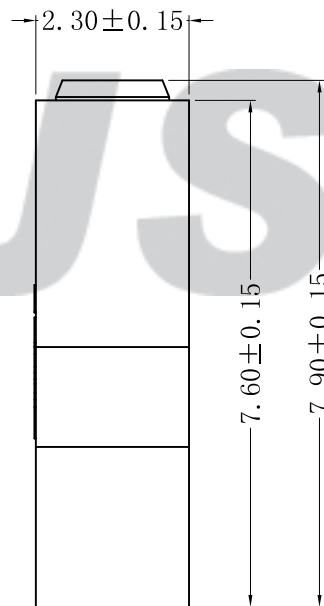
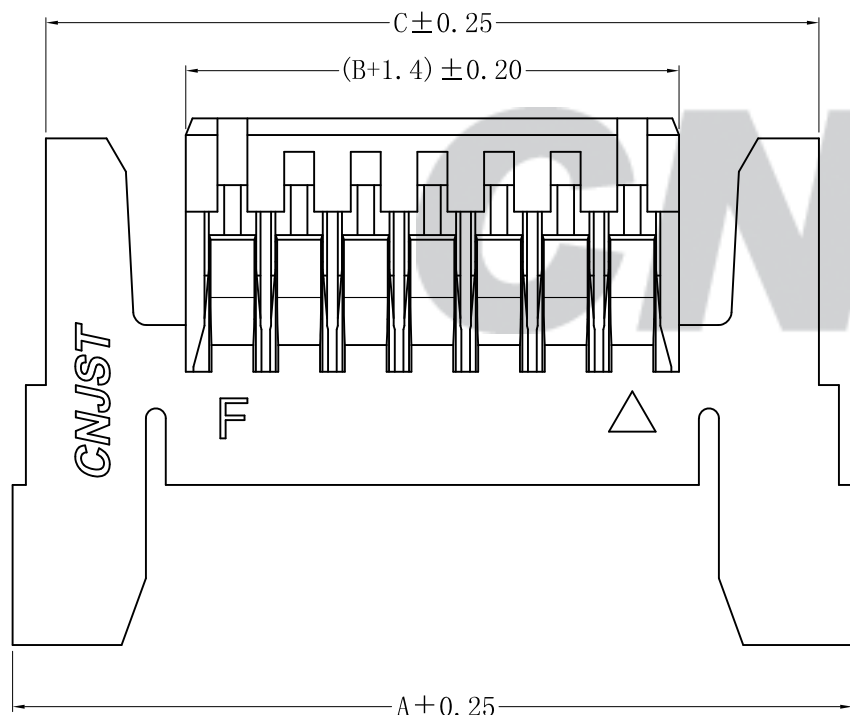
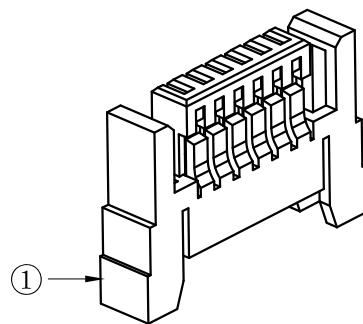
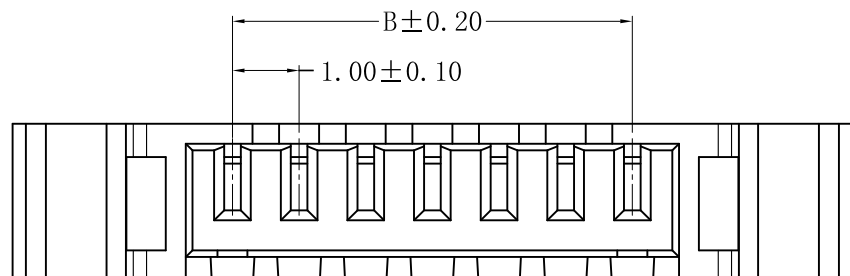
SPECIFICATION

- 1 Contact resistance: $\leq 20m\Omega$
- 2 Insulation resistance: $\geq 100M\Omega$
- 3 Rated voltage: 125 V AC DC
- 4 Rated current: 1.0 A AC DC
- 5 Withstand Voltage: 500V AC/minute
- 6 Temperature Range: $-25^{\circ}C \sim +85^{\circ}C$

ORDER INFORMATION:

A1018Y--A6W-P**

PART No.		PACKAGING:
No. OF CIRCUITS:		P=PE
02~15		
PLASTIC MATERIAL:		
A6W=PA66 (WHITE)		



Circuit	Dimensions		
	A	B	C
02	7.60	1.00	6.60
03	8.60	2.00	7.60
04	9.60	3.00	8.60
05	10.60	4.00	9.60
06	11.60	5.00	10.60
07	12.60	6.00	11.60
08	13.60	7.00	12.60
09	14.60	8.00	13.60
10	15.60	9.00	14.60
11	16.60	10.00	15.60
12	17.60	11.00	16.60
13	18.60	12.00	17.60
14	19.60	13.00	18.60
15	20.60	15.00	19.60

专利产品

Tolerance X.X ±0.30 X.XX ±0.20 X.XXX ±0.10 Angle ±3.0°	CNJST 捷仕泰企业		Drawn: 王丽君 2022. 12. 19
	Model No.: A1018Y-**-A6W-P		Checked: 吴丹平
	Model Name: 1.00 Pitch Housig		Approved: 林旭芝
	UNIT: mm		DWG NO. CNJST/GCCP-0451
	SCALE: FULL	REVISION: C/0	

C/O	DATE	DESCRIPTION	APPD.	NO.	DESCRIPTION	QTY	MATERIAL	PLATING/COLOR
	2022. 12. 19	统一标准 更新模板	王丽君	①	Insulator	1	PA66 (UL94V-0)	White