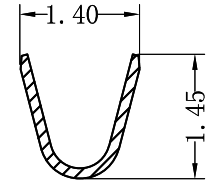
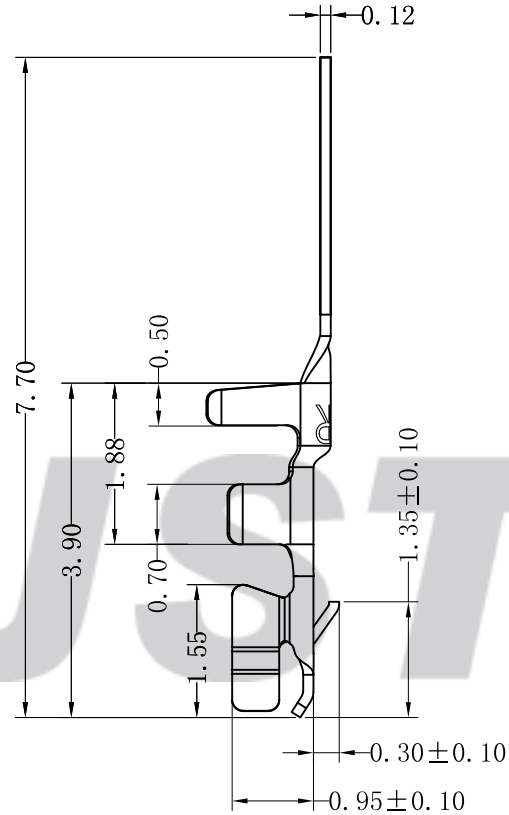
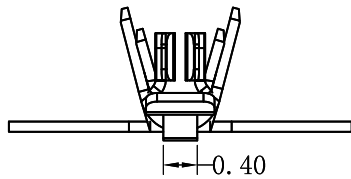
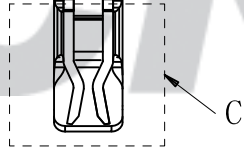
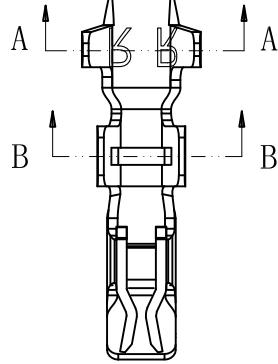
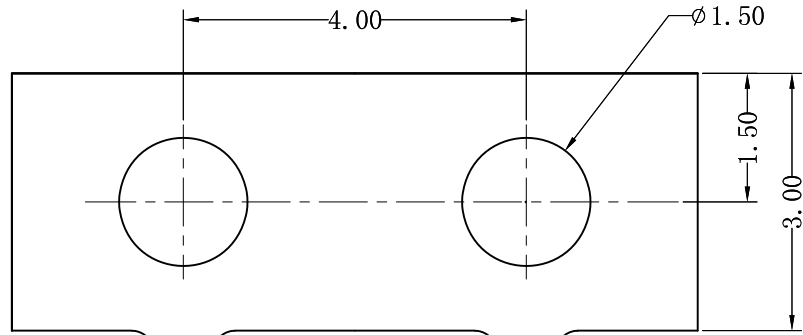
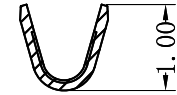


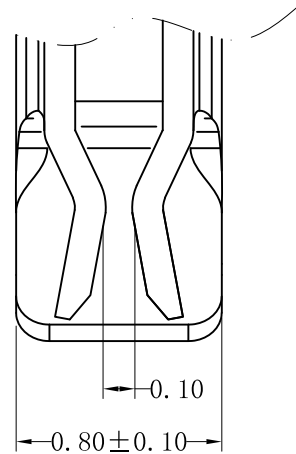
RoHS Compliant



SEC:A-A



SEC:B-B



DETAIL:C

SCALE:3/1

Tolerance

X.X ±0.30

X.XX ±0.20

X.XXX ±0.10

Angle ±3.0°

**CNJST** 捷仕泰企业

Drawn: 王丽君 2022.07.12

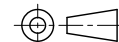
Model No. : A1018T-PA-Z

Checked: 吴丹平

Model Name:1.00mm PITCH CRIMP TERMINAL

Approved: 林旭芝

UNIT: mm



SCALE:FULL

REVISION:C/0

DWG NO. CNJST/GCDZ-0067

C/0	2022.07.12	更新模板	王丽君
B/0	2021.06.15	NEW RELEASE	王程伟

REV.	DATE	DESCRIPTION	APPD.	Wire Range	Insulation O.D.	QTY/Reel	Material	Plating
				AWG #28~#32	0.90mm (Max)	15,000PCS	Phosphor Bronze	Tin-plated