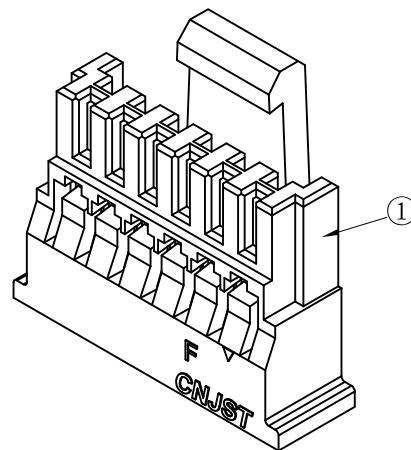
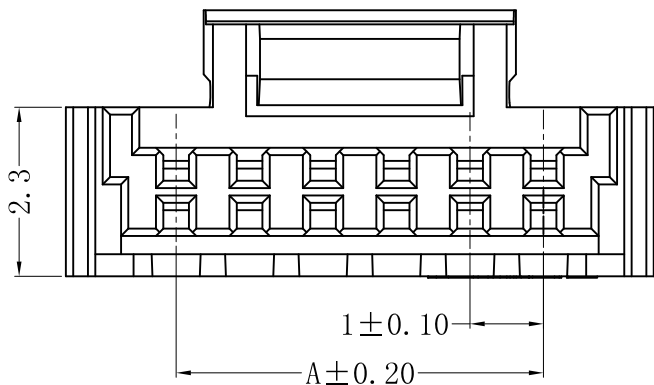


RoHS Compliant

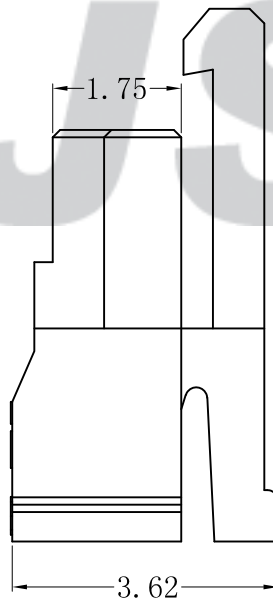
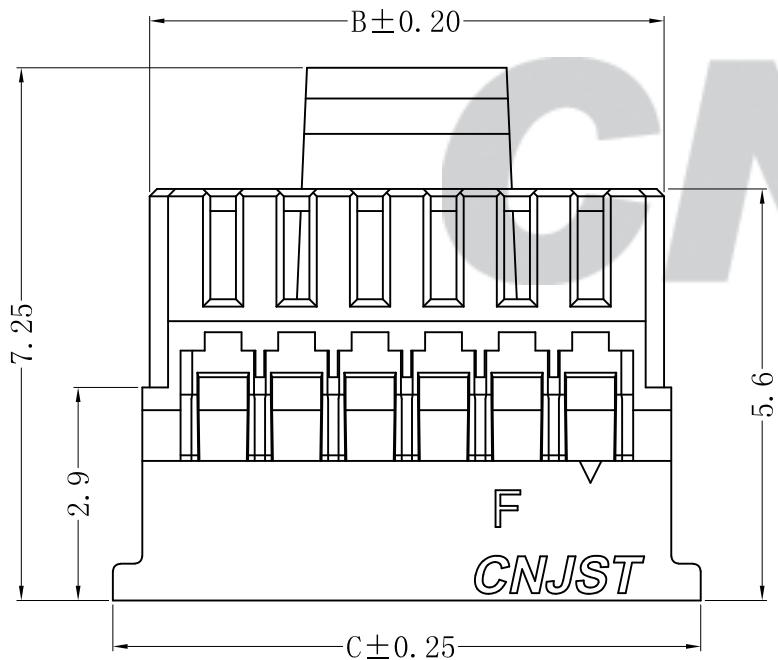


SPECIFICATION

- 1 Contact resistance: $\leq 20\text{m}\Omega$
- 2 Insulation resistance: $\geq 100\text{M}\Omega$
- 3 Rated voltage: 125 V AC DC
- 4 Rated current: 1.0 A AC DC
- 5 Withstand Voltage: 500V AC/minute
- 6 Temperature Range: $-25^{\circ}\text{C} \sim +85^{\circ}\text{C}$

ORDER INFORMATION:

A1017Y-**-A6W-P	
PART No.:	PACKAGING:
No. OF CIRCUITS:	P=PE
02~20	
PLASTIC MATERIAL:	
A6W=PA66 (WHITE)	



Circuits	Dimensions		
	A	B	C
02	1.00	3.00	4.00
03	2.00	4.00	5.00
04	3.00	5.00	6.00
05	4.00	6.00	7.00
06	5.00	7.00	8.00
07	6.00	8.00	9.00
08	7.00	9.00	10.00
09	8.00	10.00	11.00
10	9.00	11.00	12.00
11	10.00	12.00	13.00
12	11.00	13.00	14.00
13	12.00	14.00	15.00
14	13.00	15.00	16.00
15	14.00	16.00	17.00
16	15.00	17.00	18.00
17	16.00	18.00	19.00
18	17.00	19.00	20.00
19	18.00	20.00	21.00
20	19.00	21.00	22.00

专利产品

Tolerance X.X ±0.30 X.XX ±0.20 X.XXX ±0.10 Angle ±3.0°	CNJST 捷仕泰企业		Drawn: 王丽君 2022. 12. 09
	Model No. : A1017Y-**-A6W-P		Checked: 吴丹平
	Model Name: 1.00 Pitch Single Row Housig		Approved: 林旭芝
	UNIT: mm	 SCALE: FULL REVISION: C/0	DWG NO. CNJST/GCCP-0445

REV.	DATE	DESCRIPTION	APPD.	NO.	DESCRIPTION	QTY	MATERIAL	PLATING/COLOR
C/O	2022. 12. 09	统一标准 更新模板						
B/O	2019. 11. 30	NEW RELEASE		①	Insulator	1	PA66 (UL94V-0)	White