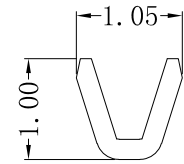
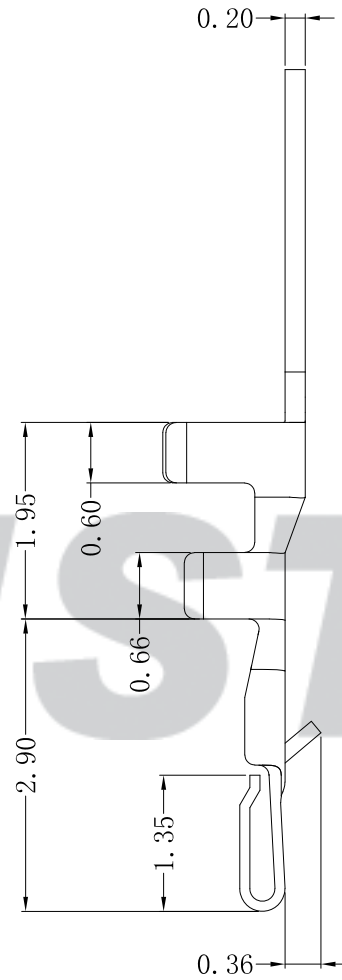
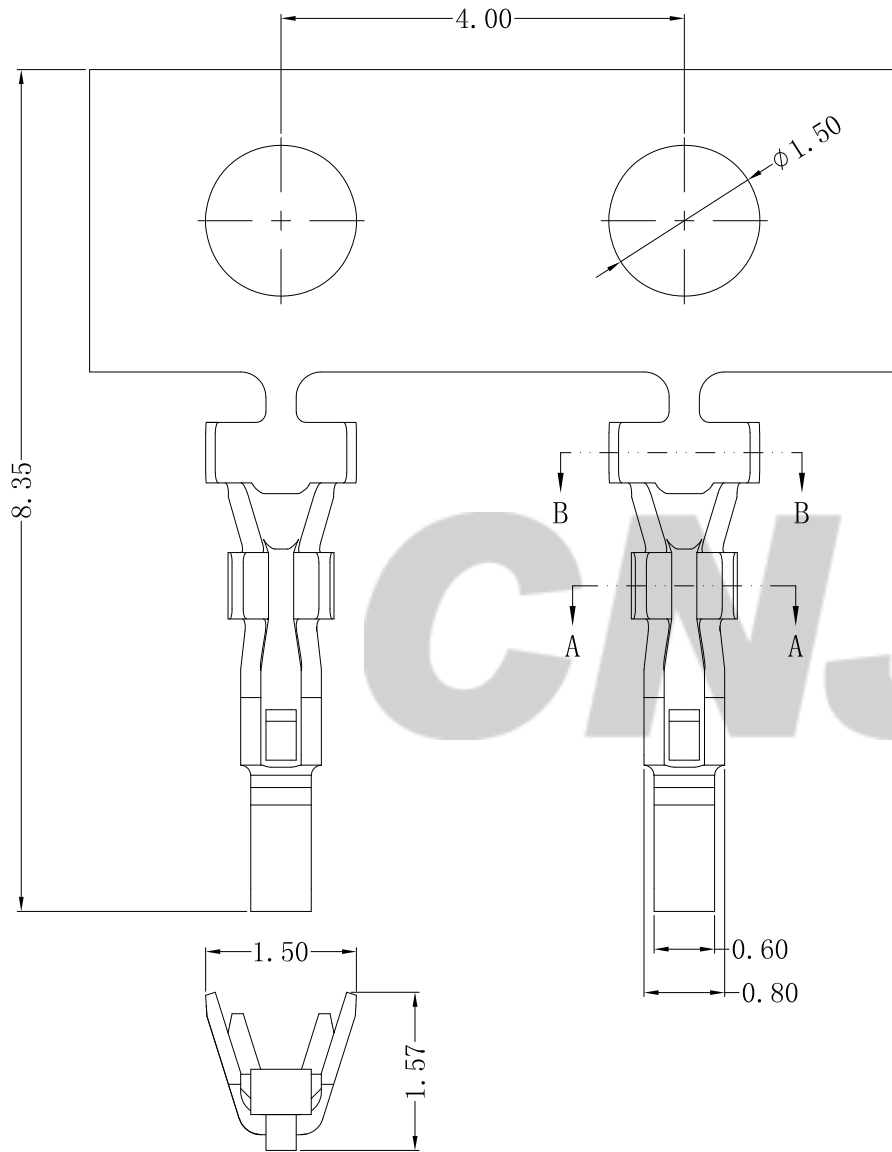
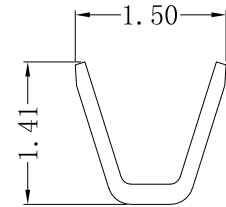


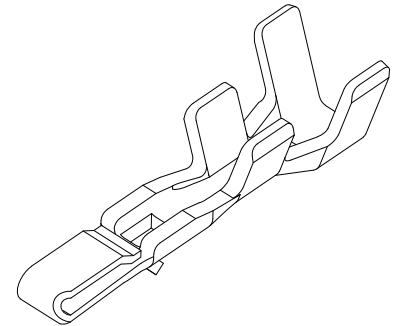
RoHS Compliant



SECTION A-A



SECTION B-B



Tolerance X.X ±0.30 X.XX ±0.20 X.XXX ±0.10 Angle ±3.0°	CNJST 捷仕泰企业		Drawn: 王丽君 2022. 12. 16
	Model No. : A1017T-PA-Z		Checked: 吴丹平
	Model Name: 1.00mm PITCH CRIMP TERMINAL		Approved: 林旭芝
	UNIT: mm	SCALE: FULL	REVISION: C/O
		DWG NO. CNJST/GCDZ-0077	

C/O	2022. 12. 16	更新模板	王丽君	AWG #26~#30	15,000Pcs	Phosphor Bronze	Tin-plated	
REV.	DATE	DESCRIPTION	APPD.	Wire Range	Insulation O.D.	QTY/Reel	Material	Plating