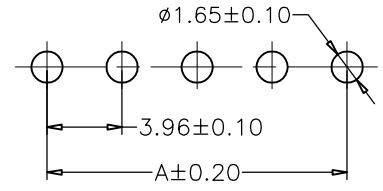
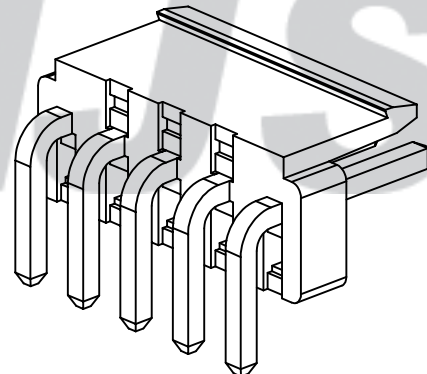
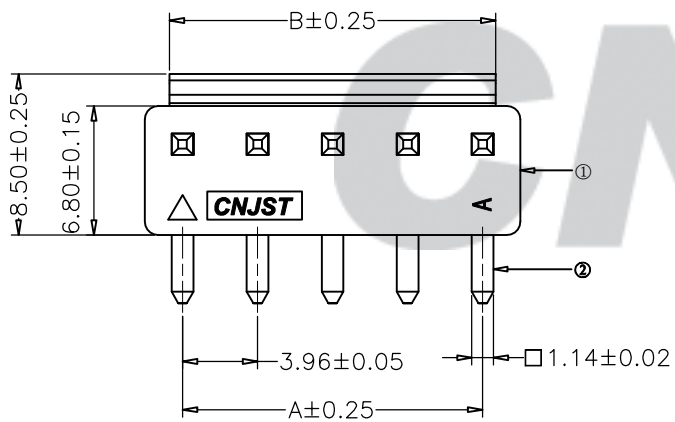
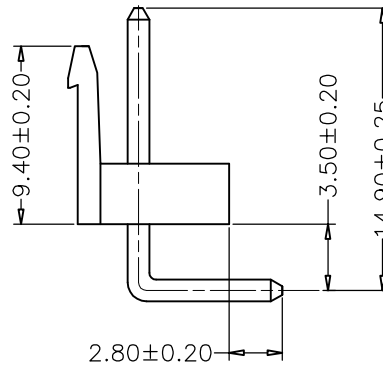
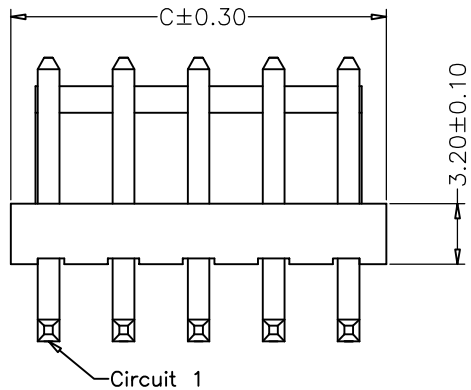


RoHS Compliant

成品图



SUGGESTED PCB LAYOUT
(COMPONENT SIDE)

SPECIFICATION

- 1 Contact resistance: $\leq 10m\Omega$
- 2 Insulation resistance: $\geq 1000M\Omega$
- 3 Rated voltage: 250 V AC DC
- 4 Rated current: 10 A AC DC
- 5 Withstand Voltage: 1500V AC/minute
- 6 Temperature Range: $-25^{\circ}C \sim +85^{\circ}C$

ORDER INFORMATION:

A3962AWG--A5WA-P-D**

PART No. _____
 No. OF CIRCUITS: _____
 02~14
 PLASTIC MATERIAL: _____
 A5W=PA66 (WHITE)

PACKAGING: P=PE
 PLATING: A=Tin-plated

Circuits	Dimensions (mm)			Circuits	Dimensions (mm)		
	A	B	C		A	B	C
02	3.96	5.34	7.94	09	31.68	33.06	35.66
03	7.92	9.30	11.90	10	35.64	37.02	39.62
04	11.88	13.26	15.82	11	39.60	40.98	43.58
05	15.84	17.22	19.82	12	43.56	44.94	47.54
06	19.80	21.18	23.78	13	47.52	48.90	51.80
07	23.76	25.14	27.74	14	51.48	52.86	55.46
08	27.72	29.10	31.70				

REV.	DATE	DESCRIPTION	APPD.	NO.	DESCRIPTION	QTY	MATERIAL	PLATING/COLOR
B/O	2016.05.20	NEW RELEASE		②	Contacts	2~14	Brass	Tin-plated
				①	Insulator	1	PA66 (UL94V-0)	White

Tolerance
 X.X ± 0.30
 X.XX ± 0.20
 X.XXX ± 0.10
 Angle $\pm 3.0^{\circ}$

Model Name: 3.96mm PITCH 90° WAFER
 Model No: A3962AWG-**-A5WA-P-D

SCALE: FULL REVISION: B/0

UNIT: mm

CNJST 浙江捷仕泰电子有限公司
 ZHEJIANG JIESHITAI ELECTRONIC CO., LTD

Drawn: 蔡忠忠 2016.05.20
 Checked: 林旭芝
 Approved: 刘祚杰
 DWG NO. CNJST/GCCP-0179