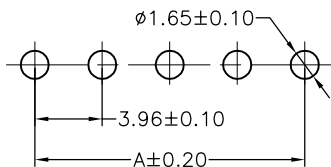
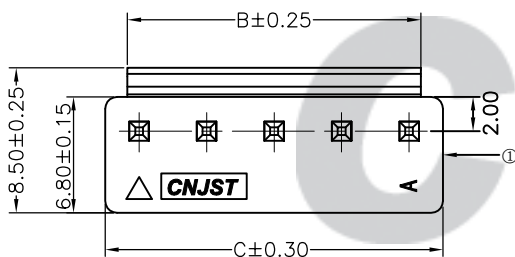
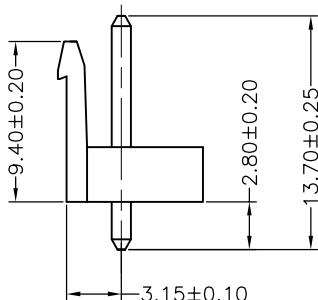
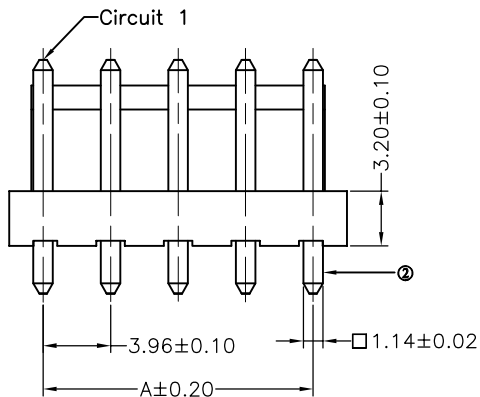
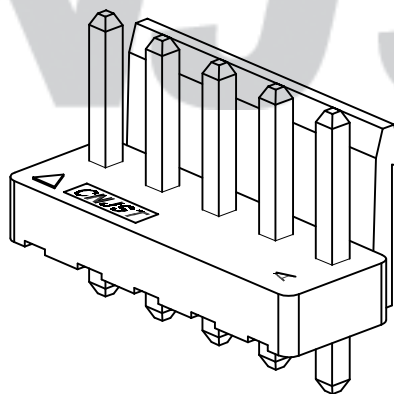


RoHS Compliant

成品图



SUGGESTED PCB LAYOUT
(COMPONENT SIDE)



SPECIFICATION

- 1 Contact resistance: $\leq 10m\Omega$
- 2 Insulation resistance: $\geq 1000M\Omega$
- 3 Rated voltage: 250 V AC DC
- 4 Rated current: 7 A AC DC
- 5 Withstand Voltage: 1500V AC/minute
- 6 Temperature Range: $-25^{\circ}C \sim +85^{\circ}C$

ORDER INFORMATION:

A3962A--A5WA-P-D**

PART No. _____

No. OF CIRCUITS: _____

02~14

PLASTIC MATERIAL: _____

A5W=PA66 (WHITE)

PACKAGING: _____

P=PE

PLATING: _____

A=Tin-plated

Circuits	Dimensions (mm)		
	A	B	C
02	3.96	5.34	7.94
03	7.92	9.30	11.90
04	11.88	13.26	15.82
05	15.84	17.22	19.82
06	19.80	21.18	23.78
07	23.76	25.14	27.74
08	27.72	29.10	31.70
09	31.68	33.06	35.66
10	35.64	37.02	39.62
11	39.60	40.98	43.58
12	43.56	44.94	47.54
13	47.52	48.90	51.80
14	51.48	52.86	55.46

UL/VDE P/N: VH-nA

Tolerance	Model Name: 3.96mm PITCH 180° WAFER	SCALE: FULL	REVISION: B/0
X.X ±0.30	Model No: A3962A-**-A5WA-P-D		
X.XX ±0.20			
X.XXX ±0.10			
Angle ±3.0°			
UNIT: mm			
	CNJST 浙江捷仕泰电子有限公司 ZHEJIANG JIESHITAI ELECTRONIC CO., LTD		

Drawn: 蔡忠忠 2016.05.12

Checked: 林旭芝

Approved: 刘祚杰

DWG NO. CNJST/GCCP-0109

REV.	DATE	DESCRIPTION	APPD.	NO.	DESCRIPTION	QTY	MATERIAL	PLATING/COLOR
B/0	2016.05.12	NEW RELEASE		②	Contacts	2~14	Brass	Tin-plated
				①	Insulator	1	PA66 (UL94V-0)	White