

RoHS Compliant

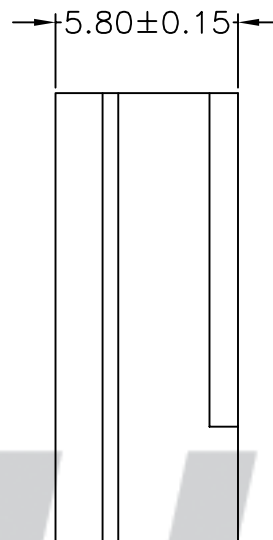
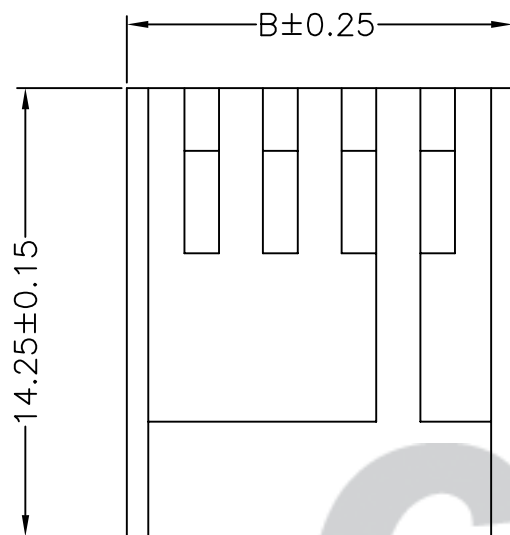
成品图

SPECIFICATION

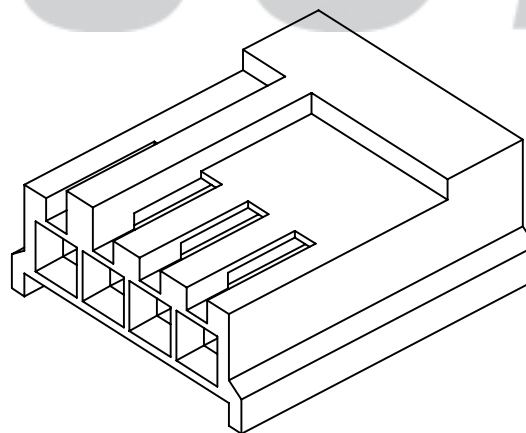
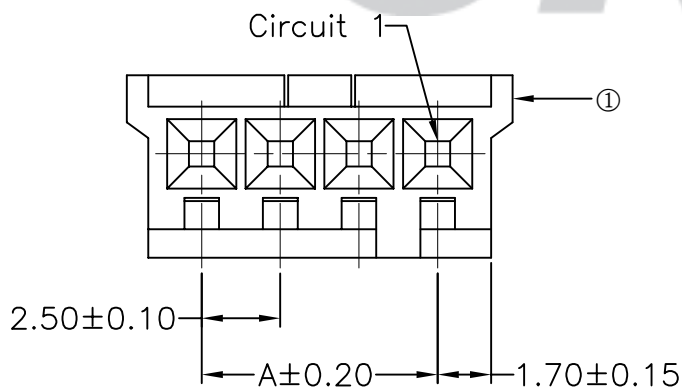
- 1 Contact resistance:  $\leq 20m\Omega$
- 2 Insulation resistance:  $\geq 1000M\Omega$
- 3 Rated voltage: 250 V AC DC
- 4 Rated current: 2.0 A AC DC
- 5 Withstand Voltage: 800V AC/minute
- 6 Temperature Range:  $-25^{\circ}C \sim +85^{\circ}C$

ORDER INFORMATION:

<b>A2506Y-**-A6W-P</b>			
PART No.		PACKAGING:	P=PE
No. OF CIRCUITS:		PLASTIC MATERIAL:	A6W=PA66 (WHITE)
02~12			



CNJST



Circuits	Dimensions (mm)	
	A	B
02	2.50	7.25
03	5.00	9.75
04	7.50	12.25
05	10.00	14.75
06	12.50	17.25
07	15.00	19.75
08	17.50	22.25
09	20.00	24.75
10	22.50	27.25
11	25.00	29.75
12	27.50	32.25

Tolerance X.X ±0.30 X.XX ±0.20 X.XXX ±0.10 Angle ±3.0°	Model Name: 2.50mm PITCH HOUSING	SCALE: FULL REVISION: B/0	Drawn: 蔡忠忠 2016.06.11
	Model No: A2506Y-**-A6W-P		
UNIT: mm	<b>CNJST</b> 浙江捷仕泰电子有限公司 ZHEJIANG JIESHITAI ELECTRONIC CO., LTD		Approved: 刘祚杰
			DWG NO. CNJST/GCCP-0197

REV.	DATE	DESCRIPTION	APPD.	NO.	DESCRIPTION	QTY	MATERIAL	PLATING/COLOR
B/0	2016.06.11	NEW RELEASE		①	Insulator	1	PA66 (UL94V-0)	White