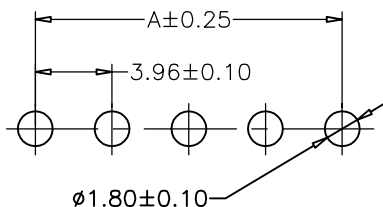
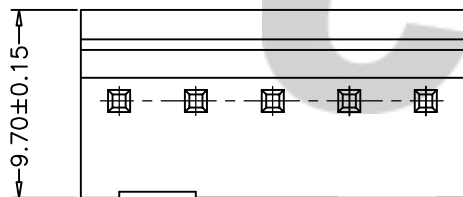
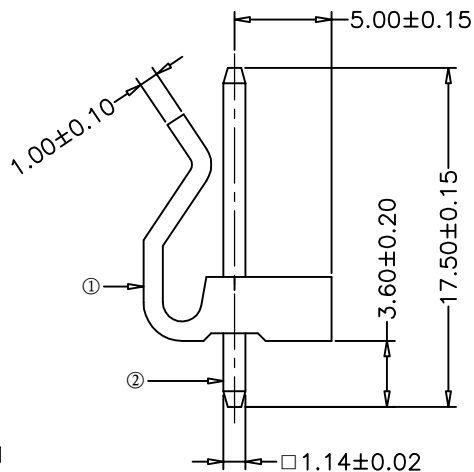
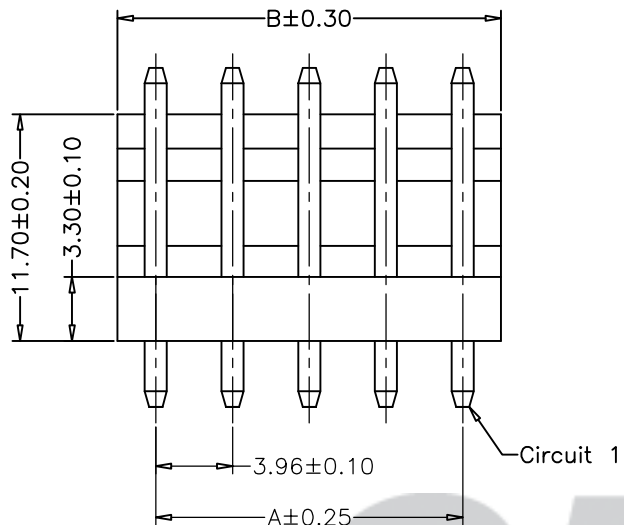


RoHS Compliant

成品图



SUGGESTED PCB LAYOUT
(COMPONENT SIDE)

SPECIFICATION

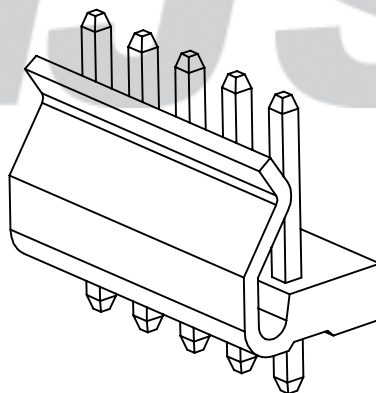
- 1 Contact resistance: $\leq 10m\Omega$
- 2 Insulation resistance: $\geq 1000M\Omega$
- 3 Rated voltage: 250 V AC DC
- 4 Rated current: 6.0 A AC DC
- 5 Withstand Voltage: 1500V AC/minute
- 6 Temperature Range: $-25^{\circ}C \sim +85^{\circ}C$

ORDER INFORMATION:

A3961A--A0TA-P**

PART No.			
No. OF CIRCUITS:	02~11	PACKAGING:	P=PE
PLASTIC MATERIAL:	AOT=PA66 (TRANSPARENT)	PLATING:	A=tin-plated

Circuits	Dimensions (mm)		Circuits	Dimensions (mm)	
	A	B		A	B
02	3.96	7.92	07	23.76	27.72
03	7.92	11.88	08	27.72	31.68
04	11.88	15.84	09	31.68	35.64
05	15.84	19.80	10	35.64	39.60
06	19.80	23.76	11	39.60	43.56



Tolerance X.X ±0.30 X.XX ±0.20 X.XXX ±0.10 Angle ±3.0°	Model Name: 3.96mm PITCH 180° WAFER		Drawn: 蔡忠忠 2016.05.12
	Model No: A3961A-**-A0TA-P		
UNIT: mm	SCALE: FULL	REVISION: B/0	Checked: 林旭芝
	CNJST 浙江捷仕泰电子有限公司 ZHEJIANG JIESHITAI ELECTRONIC CO., LTD		Approved: 刘祚杰
			DWG NO. CNJST/GCCP-0106

REV.	DATE	DESCRIPTION	APPD.	NO.	DESCRIPTION	QTY	MATERIAL	PLATING/COLOR
B/0	2016.05.12	NEW RELEASE		②	Contacts	2~11	Brass	Tin-plated 3~5 μm
				①	Insulator	1	PA66 (UL94V-2)	Transparent