

RoHS Compliant

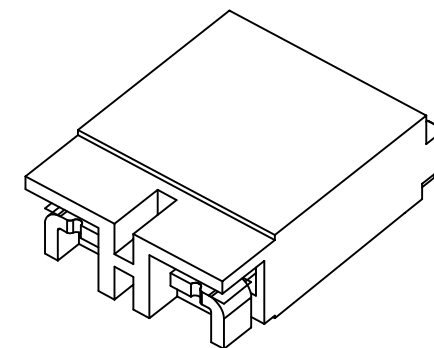
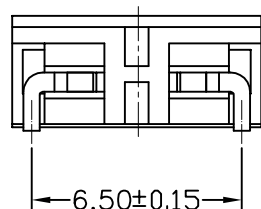
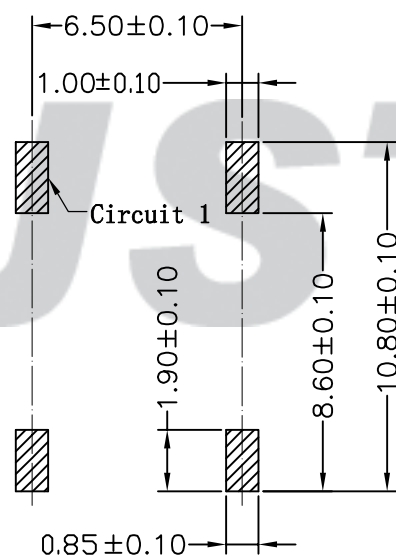
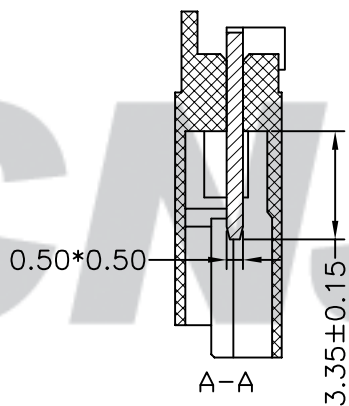
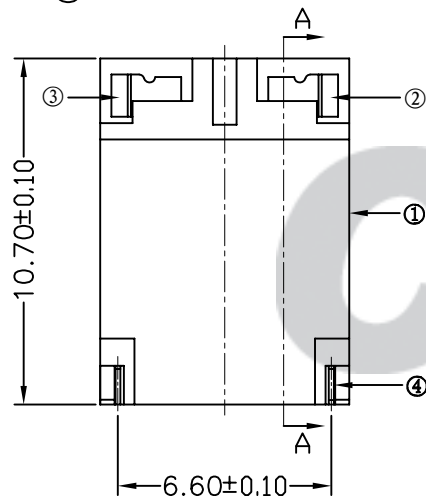
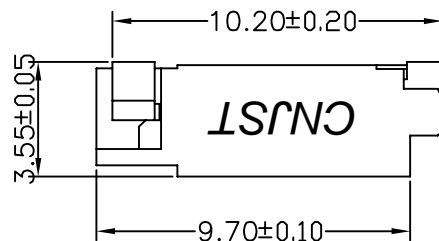
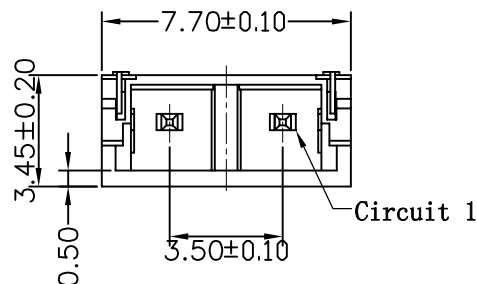
成品图

SPECIFICATION

- 1 Contact resistance: $\leq 10m\Omega$
- 2 Insulation resistance: $\geq 1000M\Omega$
- 3 Rated voltage: 1400 V AC DC
- 4 Rated current: 1.0 A AC DC
- 5 Withstand Voltage: 3800V AC/minute
- 6 Temperature Range: $-40^{\circ}C \sim +105^{\circ}C$

ORDER INFORMATION:

A3501AWR-02-***A-*			
PART No.			PACKAGING: G=TUBE R=REEL
No. OF CIRCUITS:	02		PLATING: A=Tin-plated
PLASTIC MATERIAL:	C1M=PA6T		
F2M=LCP (Nature)			



SUGGESTED PCB LAYOUT
(COMPONENT SIDE)

B/0	2016.05.10	NEW RELEASE	
REV.	DATE	DESCRIPTION	APPD.

④	Solder Tabs	2	Phosphor Bronze	Tin-plated
③	Contacts 2	1	Phosphor Bronze	Tin-plated
②	Contacts 1	1	Phosphor Bronze	Tin-plated
①	Insulator	1		Nature
NO.	DESCRIPTION	QTY	MATERIAL	PLATING/COLOR

Tolerance	
X.X	± 0.30
X.XX	± 0.20
X.XXX	± 0.10
Angle	$\pm 3.0^{\circ}$
UNIT:	mm

Model Name: 3.50mm PITCH 90° WAFER-SMT TYPE	
Model No: A3501AWR-02-***A-*	
	SCALE: FULL
	REVISION: B/0
CNJST 浙江捷仕泰电子有限公司	
ZHEJIANG JIESHITAI ELECTRONIC CO., LTD	

Drawn: 蔡忠忠 2016.05.10
Checked: 林旭芝
Approved: 刘祚杰
DWG NO. CNJST/GCCP-0101