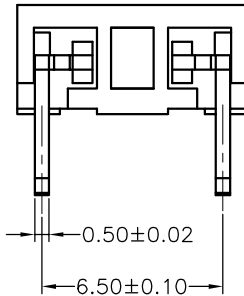
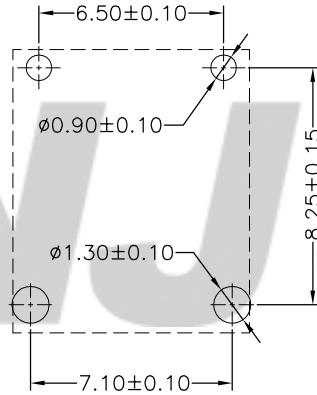
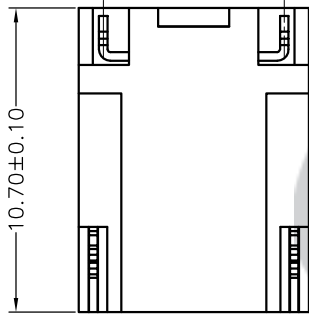
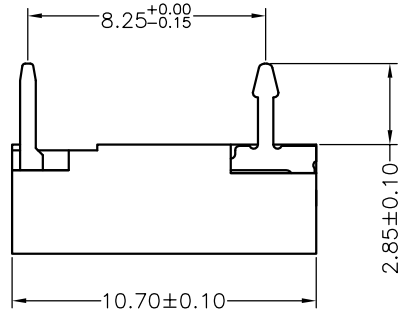
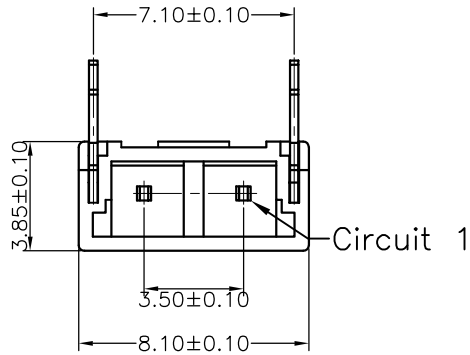


RoHS Compliant

成品图



SUGGESTED PCB LAYOUT  
(COMPONENT SIDE)

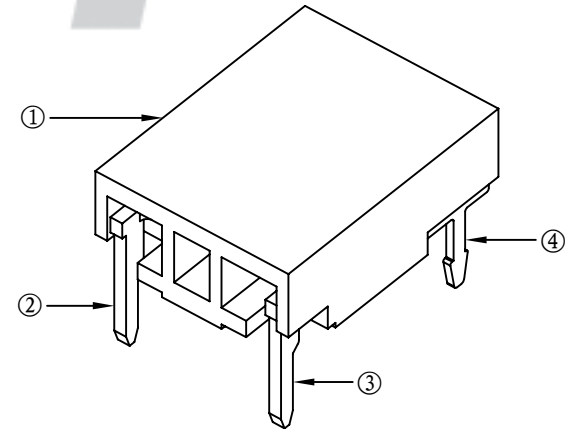
SPECIFICATION

- 1 Contact resistance:  $\leq 10m\Omega$
- 2 Insulation resistance:  $\geq 1000M\Omega$
- 3 Rated voltage: 1400 V AC DC
- 4 Rated current: 1.0 A AC DC
- 5 Withstand Voltage: 3800V AC/minute
- 6 Temperature Range:  $-25^{\circ}C \sim +85^{\circ}C$

ORDER INFORMATION:

**A3502AW-02-B1MA-G**

PART No.		PACKAGING:
No. OF CIRCUITS:	02	G=TUBE
PLASTIC MATERIAL:	B1M=PA46	PLATING:
	C1M=PA6T	A=Tin-plated



B/0	2016.05.10	NEW RELEASE	
REV.	DATE	DESCRIPTION	APPD.

NO.	DESCRIPTION	QTY	MATERIAL	PLATING/COLOR
④	Solder Tabs	2	Phosphor Bronze	Tin-plated
③	Contacts 2	1	Phosphor Bronze	Tin-plated
②	Contacts 1	1	Phosphor Bronze	Tin-plated
①	Insulator	1	PA46 (UL94V-0)	Nature

Tolerance	Model Name: 3.50mm PITCH 90° WAFER
X.X ±0.30	Model No: A3502AW-02-B1MA-G
X.XX ±0.20	SCALE: FULL REVISION: B/0
X.XXX ±0.10	
Angle ±3.0°	
UNIT: mm	<b>CNJST</b> 浙江捷仕泰电子有限公司 ZHEJIANG JIESHITAI ELECTRONIC CO., LTD

Drawn: 蔡忠忠 2016.05.10
Checked: 林旭芝
Approved: 刘祚杰
DWG NO. CNJST/GCCP-0097