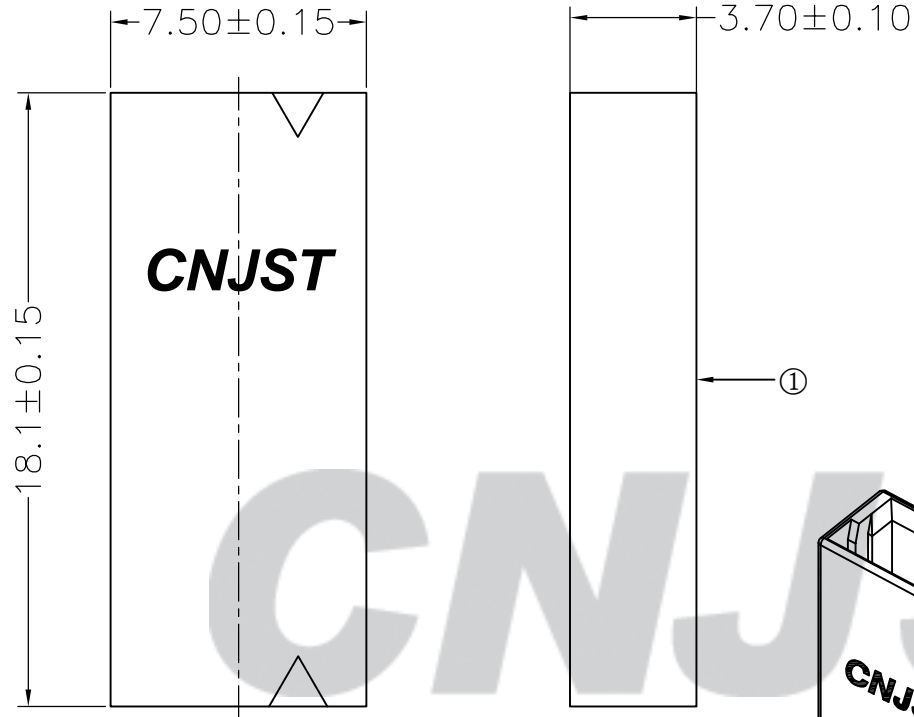


RoHS Compliant

成品图

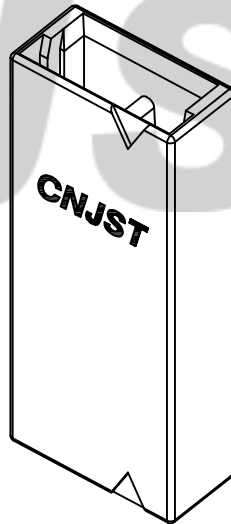
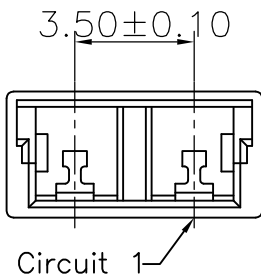


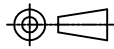
SPECIFICATION

- 1 Contact resistance: $\leq 10\text{m}\Omega$
- 2 Insulation resistance: $\geq 1000\text{M}\Omega$
- 3 Rated voltage: 1400 V AC DC
- 4 Rated current: 1.0 A AC DC
- 5 Withstand Voltage: 3800V AC/minute
- 6 Temperature Range: $-25^\circ\text{C} \sim +85^\circ\text{C}$

ORDER INFORMATION:

C3501P-02-A6W-P		
PART No.:		PACKAGING:
No. OF CIRCUITS:		P=PE
		PLASTIC MATERIAL:
		A6W=PA66 (WHITE)



Tolerance X.X ±0.30 X.XX ±0.20 X.XXX ±0.10 Angle ±3.0°	Model Name: 3.50mm PITCH HOUSING		Drawn: 蔡忠忠 2016.05.10
	Model No: C3501P-02-A6W-P		
UNIT: mm		SCALE: FULL	REVISION: B/0
		CNJST 浙江捷仕泰电子有限公司 ZHEJIANG JIESHITAI ELECTRONIC CO., LTD	
Checked: 林旭芝			Approved: 刘祚杰
DWG NO. CNJST/GCCP-0104			

REV.	DATE	DESCRIPTION	APPD.	NO.	DESCRIPTION	QTY	MATERIAL	PLATING/COLOR
B/0	2016.05.10	NEW RELEASE		①	Insulator	1	PA66 (UL94V-0)	White