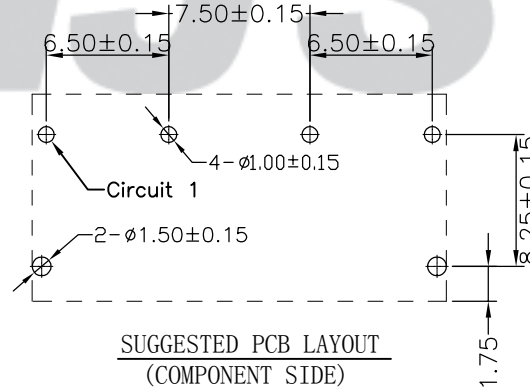
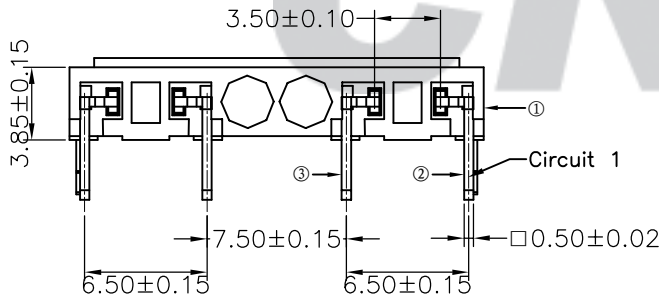
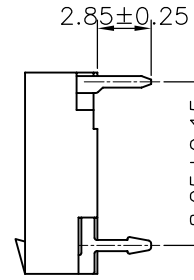
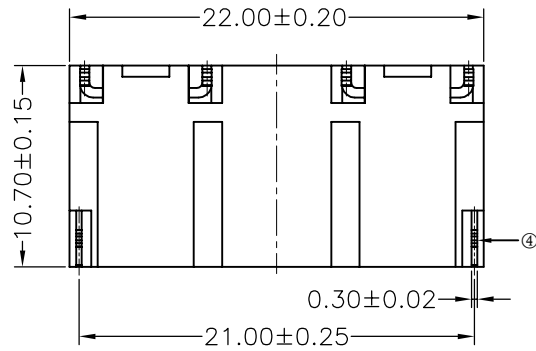


RoHS Compliant

成品图



SPECIFICATION

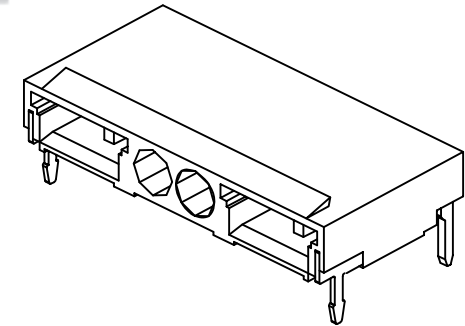
- 1 Contact resistance: $\leq 30m\Omega$
- 2 Insulation resistance: $\geq 1000M\Omega$
- 3 Rated voltage: 1400 V AC DC
- 4 Rated current: 1.0 A AC DC
- 5 Withstand Voltage: 3800V AC/minute
- 6 Temperature Range: $-25^{\circ}C \sim +85^{\circ}C$

ORDER INFORMATION:

A3506AW-04-C1MA-G

PART No. _____
 No. OF CIRCUITS: _____
 04
 PLASTIC MATERIAL: _____
 C1M=PA6T

PACKAGING:
 G=TUBE
 PLATING:
 A=Tin-Plated



SUGGESTED PCB LAYOUT
(COMPONENT SIDE)

④	Solder Tabs	2	Phosphor Bronze	Tin-plated
③	Contacts 2	2	Phosphor Bronze	Tin-plated
②	Contacts 1	2	Phosphor Bronze	Tin-plated
①	Insulator	1	PA6T (UL94V-0)	Nature
NO.	DESCRIPTION	QTY	MATERIAL	PLATING/COLOR

Tolerance	
X.X	± 0.30
X.XX	± 0.20
X.XXX	± 0.10
Angle	$\pm 3.0^{\circ}$

Model Name: 3.50mm pitch 90° Wafer	
Model No: A3506AW-04-C1MA-G	
	SCALE: FULL
REVISION: B/0	
CNJST 浙江捷仕泰电子有限公司	
ZHEJIANG JIESHITAI ELECTRONIC CO., LTD	

Drawn: 张育斌 2016.06.12
Checked: 林旭芝
Approved: 刘祚杰
DWG NO. CNJST/GCCP-0260

B/0	2016.04.12	NEW RELEASE	
REV.	DATE	DESCRIPTION	APPD.