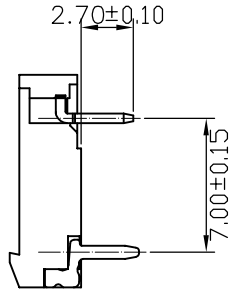
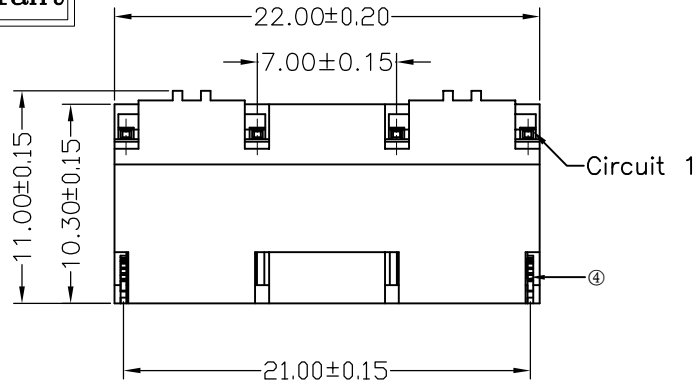


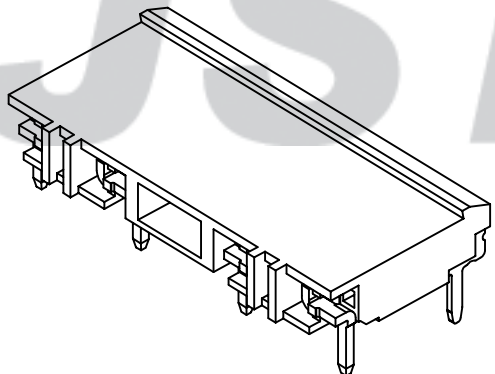
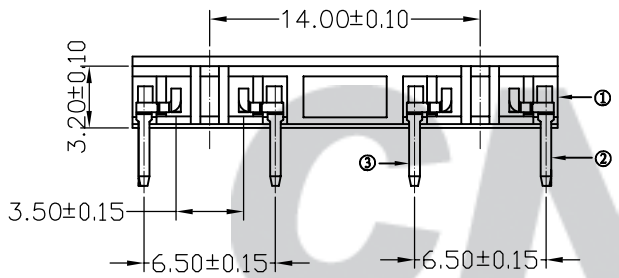
RoHS Compliant

成品图



SPECIFICATION

- 1 Contact resistance:  $\leq 30m\Omega$
- 2 Insulation resistance:  $\geq 1000M\Omega$
- 3 Rated voltage: 1400 V AC DC
- 4 Rated current: 1.0 A AC DC
- 5 Withstand Voltage: 3800V AC/minute
- 6 Temperature Range:  $-25^{\circ}C \sim +85^{\circ}C$

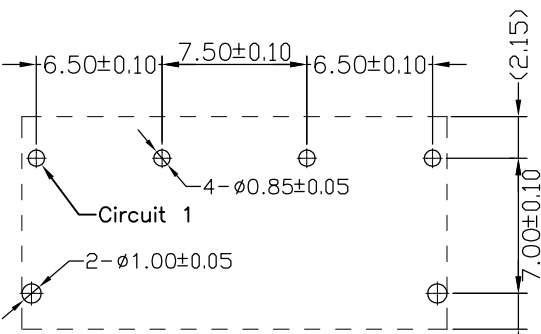


ORDER INFORMATION:

**A3505AW-04-\*\*\*B-G**

PART No. \_\_\_\_\_  
 No. OF CIRCUITS: \_\_\_\_\_  
 04  
 PLASTIC MATERIAL: \_\_\_\_\_  
 C1M=PA6T  
 C2C=PA6T (Cream)

PACKAGING:  
 G=TUBE  
 PLATING:  
 A=Tin-plated  
 B=MATTE Sn



SUGGESTED PCB LAYOUT  
(COMPONENT SIDE)

NO.	DESCRIPTION	QTY	MATERIAL	PLATING/COLOR
④	Solder Tabs	2	Phosphor Bronze	Mattn Sn
③	Contacts 2	2	Phosphor Bronze	Mattn Sn
②	Contacts 1	2	Phosphor Bronze	Mattn Sn
①	Insulator	1	PA6T (UL94V-0)	

Tolerance	Model Name: 3.50mm PITCH 90° WAFER
X.X ±0.30	Model No: A3505AW-04-***B-G
X.XX ±0.20	
X.XXX ±0.10	
Angle ±3.0°	

UNIT: mm

**CNJST** 浙江捷仕泰电子有限公司  
 ZHEJIANG JIESHITAI ELECTRONIC CO., LTD

Drawn: 蔡忠忠 2016.05.10

Checked: 林旭芝

Approved: 刘祚杰

DWG NO. CNJST/GCCP-0100

REV.	DATE	DESCRIPTION	APPD.
B/0	2016.05.10	NEW RELEASE	