

RoHS Compliant

成品图

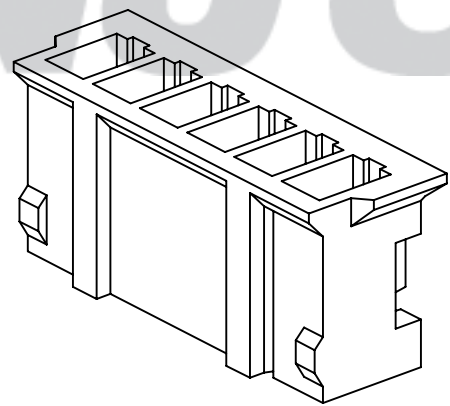
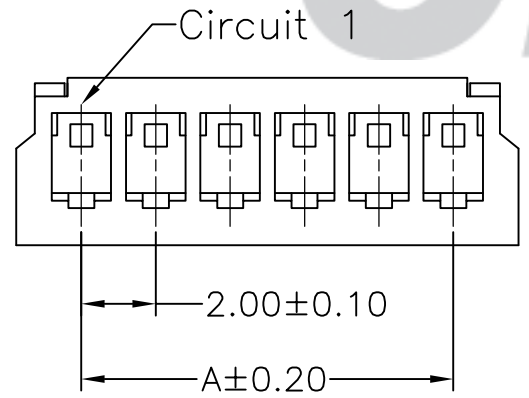
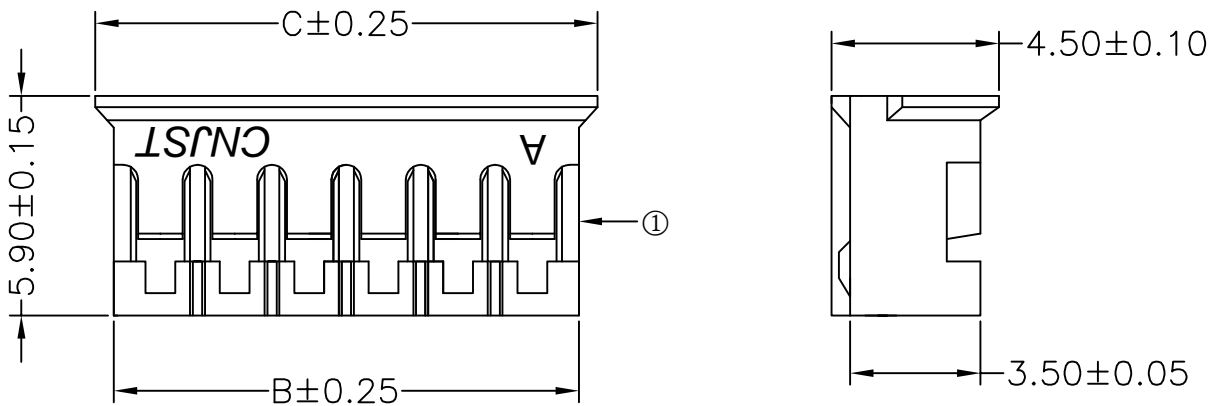
SPECIFICATION

- 1 Contact resistance: $\leq 20m\Omega$
- 2 Insulation resistance: $\geq 100M\Omega$
- 3 Rated voltage: 300 V AC DC
- 4 Rated current: 3.0 A AC DC
- 5 Withstand Voltage: 1000V AC/minute
- 6 Temperature Range: $-25^{\circ}C \sim +85^{\circ}C$

ORDER INFORMATION:

A2007Y-*-A***-P**

PART No.		PACKAGING: P=PE
No. OF CIRCUITS:	02~15	PLASTIC MATERIAL: A6W=PA66 (White) A7O=PA66 (ORANGE)



Circuits	Dimensions (mm)		
	A	B	C
02	2.00	4.50	5.50
03	4.00	6.50	7.50
04	6.00	8.50	9.50
05	8.00	10.50	11.50
06	10.00	12.50	13.50
07	12.00	14.50	15.50
08	14.00	16.50	17.50
09	16.00	18.50	19.50
10	18.00	20.50	21.50
11	20.00	22.50	23.50
12	22.00	24.50	25.50
13	24.00	26.50	27.50
14	26.00	28.50	29.50
15	28.00	30.50	31.50

Tolerance	Model Name: 2.00mm PITCH Housing	Drawn: 蔡忠忠 2016.06.11
X.X ±0.30	Model No: A2007Y-***-A***-P	Checked: 林旭芝
X.XX ±0.20	SCALE: FULL REVISION: B/0	
X.XXX ±0.10		UNIT: mm
Angle ±3.0°	CNJST 浙江捷仕泰电子有限公司 ZHEJIANG JIESHITAI ELECTRONIC CO., LTD	
	DWG NO. CNJST/GCCP-0199	

REV.	DATE	DESCRIPTION	APPD.	NO.	DESCRIPTION	QTY	MATERIAL	PLATING/COLOR
B/0	2016.06.11	NEW RELEASE		①	Insulator	1	PA66 (UL94V-0)	